

METAL PIPE THROUGH CONCRETE FLOOR/WALL OR BLOCK WALL

F-RATING = 3-HR.

T-RATING = 0-HR.

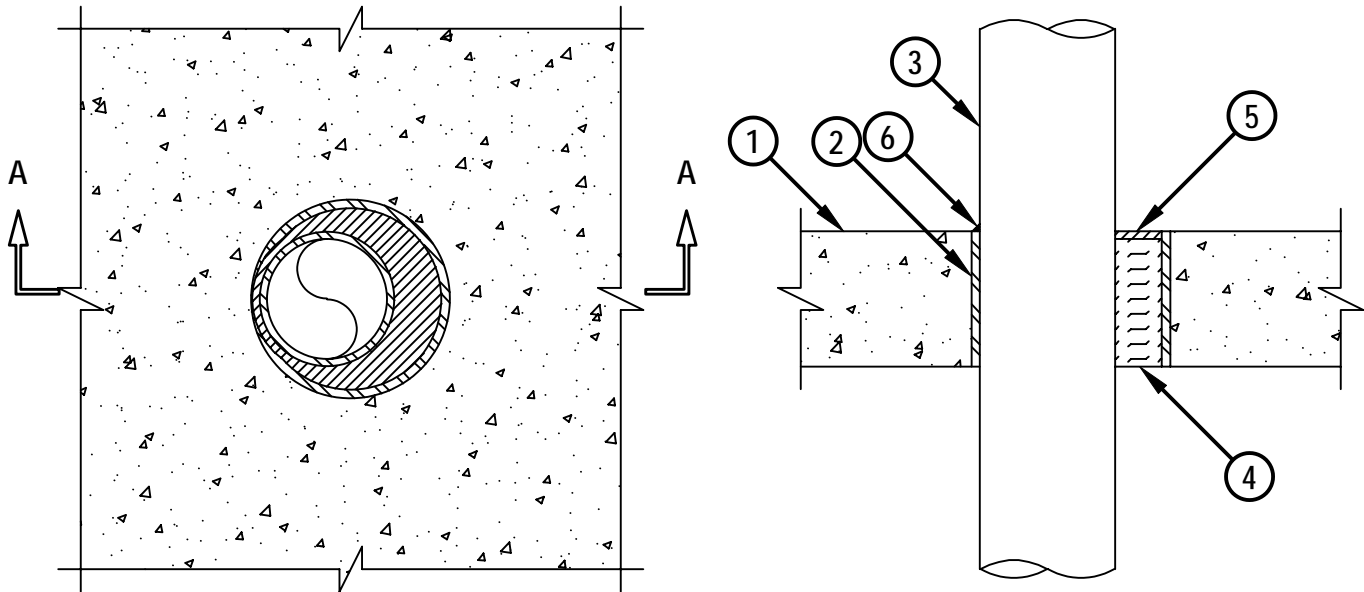
L-RATING AT AMBIENT = LESS THAN 1 CFM/SQ. FT.

L-RATING AT 400° F = 4 CFM/ SQ. FT.

CAJ1372c.110402

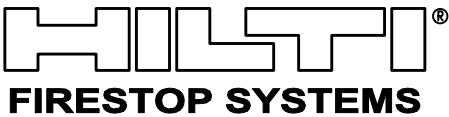
TOP VIEW

SECTION A-A



1. CONCRETE FLOOR OR WALL ASSEMBLY (3-HR. FIRE-RATING) :
 - A. LIGHTWEIGHT OR NORMAL WEIGHT CONCRETE FLOOR OR WALL (MIN. 4-1/2" THICK).
 - B. ANY UL/ULC CLASSIFIED CONCRETE BLOCK WALL.
2. OPTIONAL : MAXIMUM 10" NOMINAL DIAMETER STEEL PIPE SLEEVE (SCHEDULE 40 OR HEAVIER).
3. PENETRATING ITEM TO BE ONE OF THE FOLLOWING :
 - A. MAXIMUM 8" NOMINAL DIAMETER STEEL PIPE (SCHEDULE 10 OR HEAVIER).
 - B. MAXIMUM 8" NOMINAL DIAMETER CAST IRON PIPE.
 - C. MAXIMUM 4" NOMINAL DIAMETER COPPER PIPE.
 - D. MAXIMUM 4" NOMINAL DIAMETER STEEL CONDUIT.
 - E. MAXIMUM 4" NOMINAL DIAMETER EMT.
4. MINIMUM 4-1/4" THICKNESS MINERAL WOOL (MIN. 4 PCF DENSITY) TIGHTLY PACKED.
5. MINIMUM 1/4" DEPTH HILTI CP 606 FLEXIBLE FIRESTOP SEALANT.
6. MINIMUM 1/4" BEAD HILTI CP 606 FLEXIBLE FIRESTOP SEALANT AT POINT OF CONTACT.

NOTES : 1. MAXIMUM DIAMETER OF OPENING = 10-1/2".
 2. ANNULAR SPACE = MINIMUM 0", MAXIMUM 1-7/8".
 3. MINIMUM 1/4" DEPTH HILTI CP 606 FLEXIBLE FIRESTOP SEALANT IS REQUIRED ON BOTH SIDES OF A WALL ASSEMBLY.



HILTI, Inc.
 Tulsa, Oklahoma USA (918) 252-6000

Sheet	1 of 1
Scale	5/32" = 1"
Date	Nov. 4, 2002

Drawing No.

**CAJ
1372c**