

METAL PIPE THROUGH CONCRETE FLOOR ASSEMBLY

F-RATING = 3-HR.

T-RATING = 0-HR.

L-RATING AT AMBIENT = LESS THAN 1 CFM / SQ FT

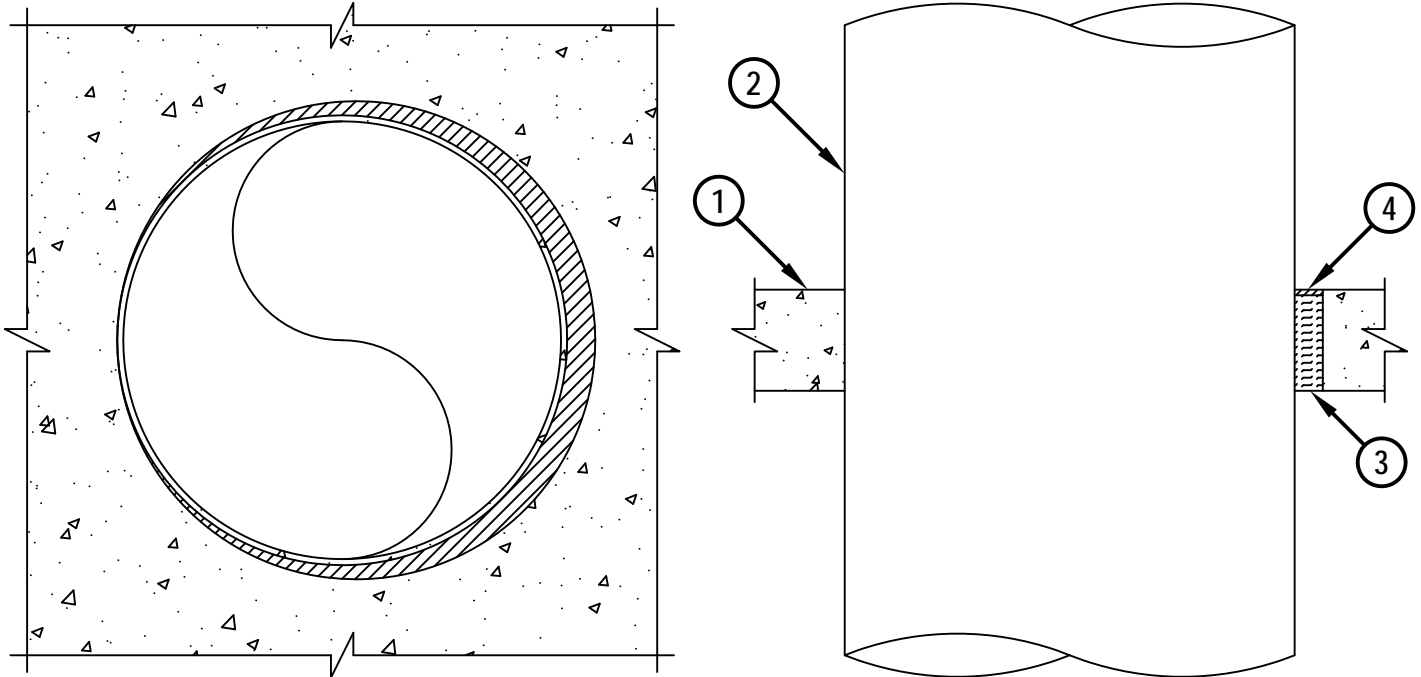
L-RATING AT 400° F = LESS THAN 1 CFM / SQ FT

W-RATING = CLASS I

CAJ1425e.021414

TOP VIEW

SECTION A-A



1. LIGHTWEIGHT OR NORMAL WEIGHT CONCRETE FLOOR ASSEMBLY (MINIMUM 4-1/2" THICK) (3-HR. FIRE-RATING).
2. PENETRATING ITEM TO BE ONE OF THE FOLLOWING :
 - A. MAXIMUM 30" NOMINAL DIAMETER STEEL PIPE (SCHEDULE 10 OR HEAVIER).
 - B. MAXIMUM 30" NOMINAL DIAMETER CAST OR DUCTILE IRON PIPE.
 - C. MAXIMUM 6" NOMINAL DIAMETER COPPER PIPE OR TUBING.
 - D. MAXIMUM 6" NOMINAL DIAMETER STEEL CONDUIT.
 - E. MAXIMUM 4" NOMINAL DIAMETER EMT.
3. MINIMUM 4" THICKNESS MINERAL WOOL (MINIMUM 4 PCF DENSITY) TIGHTLY PACKED AND RECESSED TO ACCOMMODATE FIRESTOP SEALANT.
4. MINIMUM 1/4" DEPTH HILTI CFS-S SIL SL FIRESTOP SILICONE SEALANT, HILTI CP 604 SELF-LEVELING FIRESTOP SEALANT, OR HILTI CFS-S SIL GG FIRESTOP SILICONE SEALANT.

NOTES : 1. MAXIMUM DIAMETER OF OPENING = 31-7/8".
 2. ANNULAR SPACE = MINIMUM 0", MAXIMUM 1-7/8".



HILTI, Inc.
 Tulsa, Oklahoma USA (800) 879-8000

Sheet	1 of 1
Scale	5/64" = 1"
Date	Feb. 14, 2014

Drawing No.
CAJ
1425e