

UL/cUL SYSTEM NO. C-AJ-1610

METAL PIPE THROUGH CONCRETE FLOOR/WALL OR BLOCK WALL

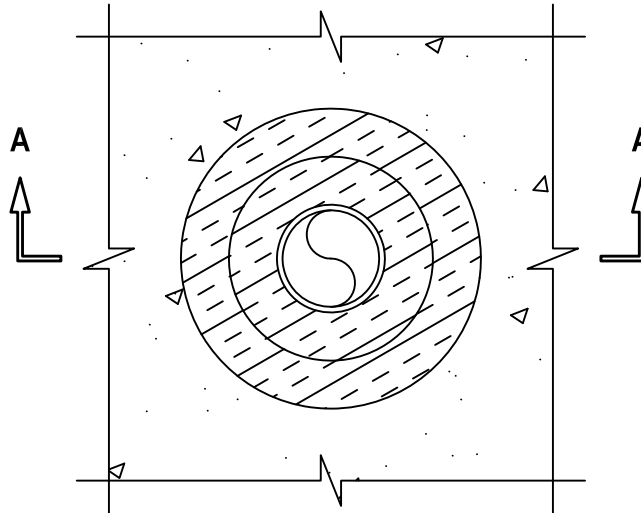
F AND T-RATINGS = 2-HR.

L-RATING AT AMBIENT = LESS THAN 1 CFM / SQ FT

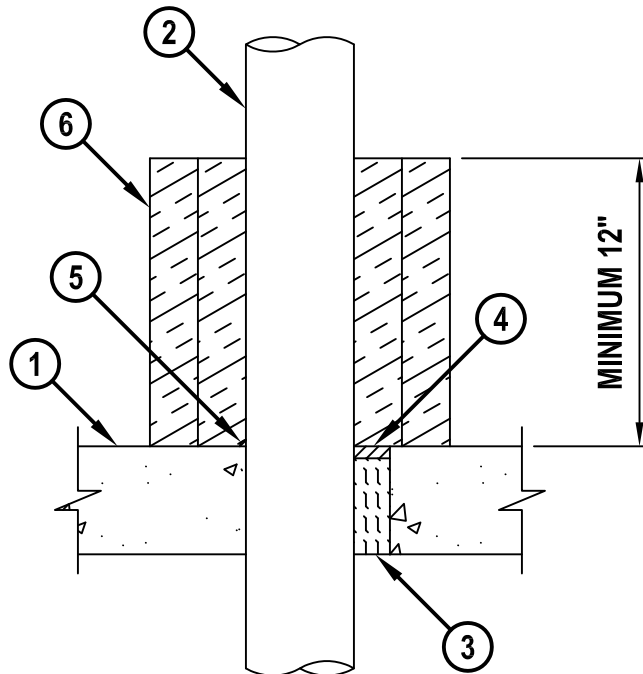
L-RATING AT 400°F = LESS THAN 1 CFM / SQ FT

W-RATING = CLASS I (SEE NOTE NO. 4 BELOW)

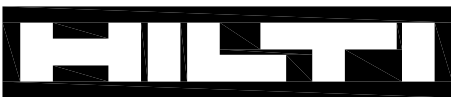
TOP VIEW



SECTION A-A



CAJ1610d.032815



Hilti Firestop Systems

HILTI, Inc.
Tulsa, Oklahoma USA (800) 879-8000

| | |
|-------|---------------|
| Sheet | 1 of 2 |
| Scale | 1/8" = 1" |
| Date | Mar. 28, 2015 |

Drawing No.

CAJ
1610d

Saving Lives through Innovation and Education

METAL PIPE THROUGH CONCRETE FLOOR/WALL OR BLOCK WALL

F AND T-RATINGS = 2-HR.

L-RATING AT AMBIENT = LESS THAN 1 CFM / SQ FT

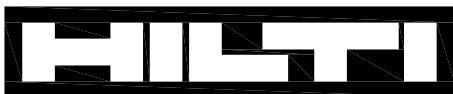
L-RATING AT 400°F = LESS THAN 1 CFM / SQ FT

W-RATING = CLASS I (SEE NOTE NO. 4 BELOW)

CAJ1610d.032815

1. CONCRETE FLOOR OR WALL ASSEMBLY (2-HR. FIRE-RATING) :
 - A. LIGHTWEIGHT OR NORMAL WEIGHT CONCRETE FLOOR OR WALL (MINIMUM 4-1/2" THICK).
 - B. ANY UL/cUL CLASSIFIED CONCRETE BLOCK WALL.
2. PENETRATING ITEM TO BE ONE OF THE FOLLOWING :
 - A. MAXIMUM 4" NOMINAL DIAMETER STEEL PIPE (SCH 40 OR HEAVIER).
 - B. MAXIMUM 4" NOMINAL DIAMETER CAST OR DUCTILE IRON PIPE.
 - C. MAXIMUM 4" NOMINAL DIAMETER STEEL CONDUIT.
3. MINIMUM 4" THICKNESS MINERAL WOOL (MIN. 4 PCF DENSITY) TIGHTLY PACKED AND RECESSED TO ACCOMMODATE SEALANT.
4. MINIMUM 1/2" DEPTH HILTI FS-ONE MAX OR FS-ONE INTUMESCENT FIRESTOP SEALANT, HILTI CP 604 SELF-LEVELING FIRESTOP SEALANT, HILTI CP 606 FLEXIBLE FIRESTOP SEALANT, HILTI CFS-S SIL GG FIRESTOP SILICONE SEALANT, OR HILTI CFS-S SIL SL FIRESTOP SILICONE SEALANT.
5. MINIMUM 1/4" BEAD HILTI FS-ONE MAX OR FS-ONE INTUMESCENT FIRESTOP SEALANT, HILTI CP 606 FLEXIBLE FIRESTOP SEALANT, OR HILTI CFS-S SIL GG FIRESTOP SILICONE SEALANT APPLIED AT POINT OF CONTACT (NOT REQUIRED WHEN HILTI CP 604 SELF-LEVELING FIRESTOP SEALANT OR HILTI CFS-S SIL SL FIRESTOP SILICONE SEALANT IS USED, ITEM NO. 4).
6. TWO LAYERS OF NOMINAL 2" THICK FIBERGLASS DUCT WRAP (MIN. 1 PCF DENSITY) TIGHTLY WRAPPED AROUND PENETRANT AND TIGHTLY BUTTED TO TOP SURFACE OF FLOOR, OR BOTH SIDES OF WALL, AND EXTENDING MINIMUM 12" ABOVE FLOOR, OR PAST BOTH SIDES OF WALL. ALL LONGITUDINAL SEAMS OF BOTH LAYERS OF DUCT WRAP ARE TO BE SEALED WITH FOIL TAPE.

NOTES : 1. MAXIMUM DIAMETER OF OPENING = 6".
 2. ANNULAR SPACE = MINIMUM 0", MAXIMUM 1-1/2".
 3. MINIMUM 1/2" DEPTH HILTI FS-ONE MAX OR FS-ONE INTUMESCENT FIRESTOP SEALANT, HILTI CP 606 FLEXIBLE FIRESTOP SEALANT, OR HILTI CFS-S SIL GG FIRESTOP SILICONE SEALANT IS REQUIRED ON BOTH SIDES OF A WALL ASSEMBLY.
 4. W-RATING APPLIES ONLY WHEN HILTI CP 604 SELF-LEVELING FIRESTOP SEALANT, HILTI CFS-S SIL GG FIRESTOP SILICONE SEALANT, HILTI CFS-S SIL SL FIRESTOP SILICONE SEALANT, OR HILTI FS-ONE MAX INTUMESCENT FIRESTOP SEALANT IS USED.



Hilti Firestop Systems

HILTI, Inc.
 Tulsa, Oklahoma USA (800) 879-8000

| | |
|-------|---------------|
| Sheet | 2 of 2 |
| Scale | - |
| Date | Mar. 28, 2015 |

Drawing No.

**CAJ
1610d**