

CABLE BUNDLE IN CONCRETE FLOOR/WALL OR BLOCK WALL

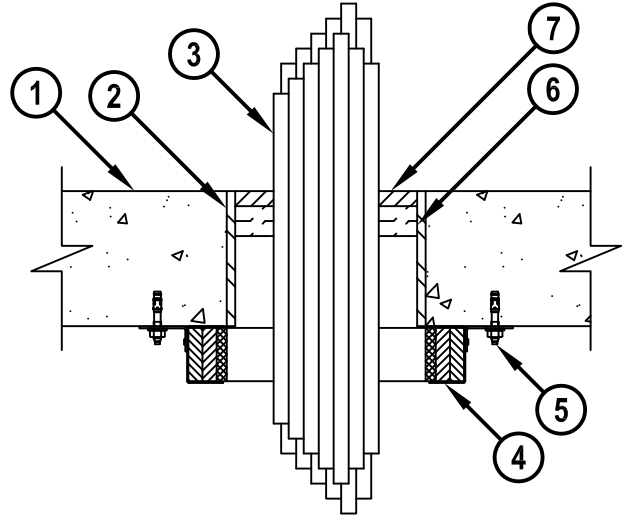
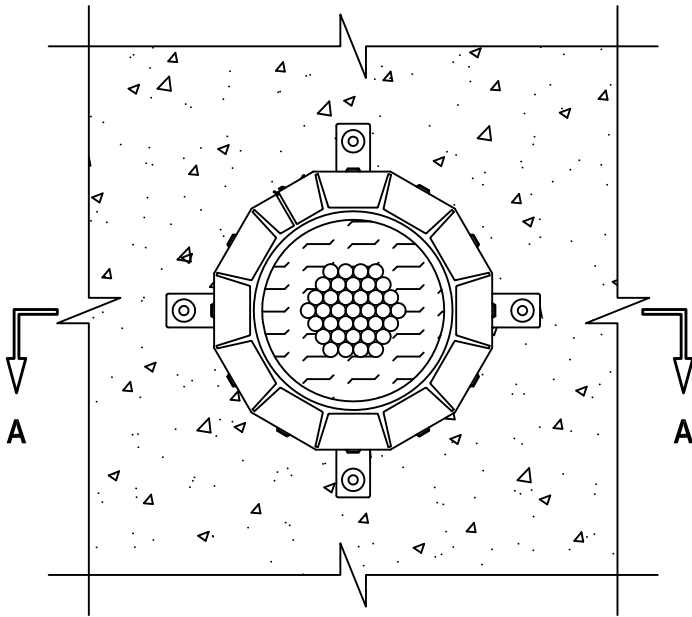
F-RATING = 3-HR.

T-RATING = 0, 1/2, 3/4, 1 & 1-1/2-HR.

CAJ3096h.010515

BOTTOM VIEW

SECTION A-A



1. CONCRETE FLOOR OR WALL ASSEMBLY (3-HR. FIRE-RATING) :
 - A. LIGHTWEIGHT OR NORMAL WEIGHT CONCRETE FLOOR OR WALL (MINIMUM 4-1/2" THICK).
 - B. ANY UL/cUL CLASSIFIED CONCRETE BLOCK WALL.
2. [OPTIONAL] MAXIMUM 6" NOMINAL DIAMETER STEEL PIPE SLEEVE (SCHEDULE 10 OR HEAVIER).
3. CABLE BUNDLE TO BE A COMBINATION OF ANY OF THE FOLLOWING :
 - A. MAXIMUM 350 KCMIL CABLES WITH CROSS-LINKED POLYETHYLENE (XPLE) INSULATION.
 - B. MAXIMUM 25 PAIR NO. 24 AWG TELEPHONE CABLES WITH PVC INSULATION.
 - C. MAXIMUM 7/C NO. 12 AWG CABLES WITH PVC OR XPLE INSULATION.
 - D. MAXIMUM 1/2" DIAMETER FIBER-OPTIC CABLES WITH PVC INSULATION.
4. HILTI CP 643N FIRESTOP COLLAR WITH FASTENING HOOKS.
5. EACH FASTENING HOOK SECURED TO BOTTOM OF FLOOR WITH 1/4" x 1-3/4" LONG STEEL EXPANSION BOLTS IN CONJUNCTION WITH 3/4" DIAMETER STEEL WASHERS (EX. HILTI KWIK-BOLT 3).
6. MINIMUM 1" THICKNESS MINERAL WOOL (MIN. 4 PCF DENSITY) TIGHTLY PACKED.
7. MINIMUM 1/2" DEPTH HILTI FS-ONE MAX OR FS-ONE INTUMESCENT FIRESTOP SEALANT.

NOTES : 1. MAXIMUM DIAMETER OF OPENING = 6".
 2. CABLES TO FILL MINIMUM 25% TO MAXIMUM 40% OF AREA OF OPENING.
 3. HILTI CP 643N FIRESTOP COLLAR AND HILTI FS-ONE MAX OR FS-ONE INTUMESCENT FIRESTOP SEALANT ARE REQUIRED ON BOTH SIDES OF A WALL ASSEMBLY.



HILTI, Inc.
 Tulsa, Oklahoma USA (800) 879-8000

Sheet	1 of 1
Scale	5/32" = 1"
Date	Jan. 05, 2015

Drawing No.

**CAJ
3096h**