

**CABLE THROUGH CONCRETE FLOOR/WALL OR BLOCK WALL**

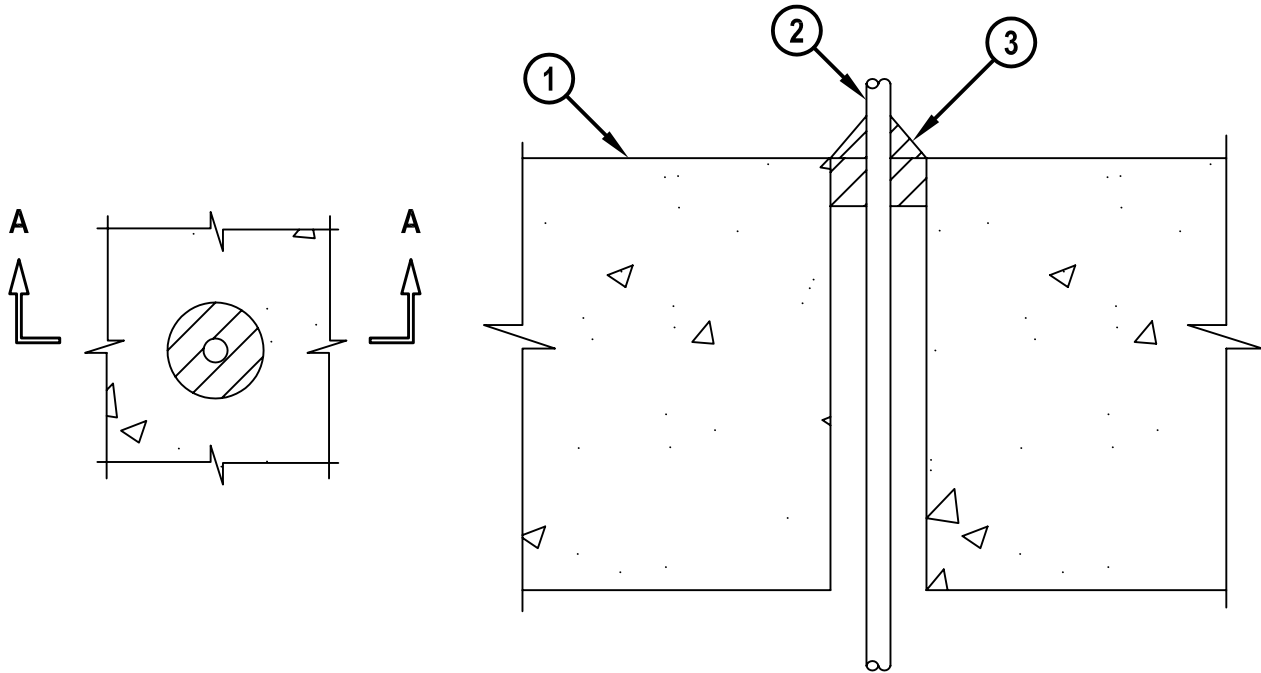
F-RATING = 3-HR.

T-RATING = 2-HR.

CAJ3138b.083199

**TOP VIEW**

**SECTION A-A**



1. CONCRETE FLOOR OR WALL ASSEMBLY (3-HR FIRE-RATING):
  - A. LIGHTWEIGHT OR NORMAL WEIGHT CONCRETE FLOOR OR WALL (MINIMUM 4-1/2" THICK).
  - B. ANY UL/ULC CLASSIFIED CONCRETE BLOCK WALL.
2. MAXIMUM 25 PAIR NO. 24 AWG TELEPHONE CABLE WITH PVC JACKET (MAXIMUM QUANTITY = 1).
3. MINIMUM 1/2" DEPTH HILTI CP 618 FIRESTOP PUTTY STICK WITH ADDITIONAL 1/4" CROWN FORMED AROUND CABLE.

**NOTES :** 1. MAXIMUM DIAMETER OF OPENING = 1".  
 2. ANNULAR SPACE = MINIMUM 1/4", MAXIMUM 1/2".  
 3. WALLS REQUIRE HILTI CP 618 FIRESTOP PUTTY STICK ON BOTH SIDES.



HILTI, Inc.  
 Tulsa, Oklahoma USA (918) 252-6000

Sheet	1 of 1
Scale	1/2" = 1"
Date	AUG. 31, 1999

Drawing No.

**CAJ  
3138b**