

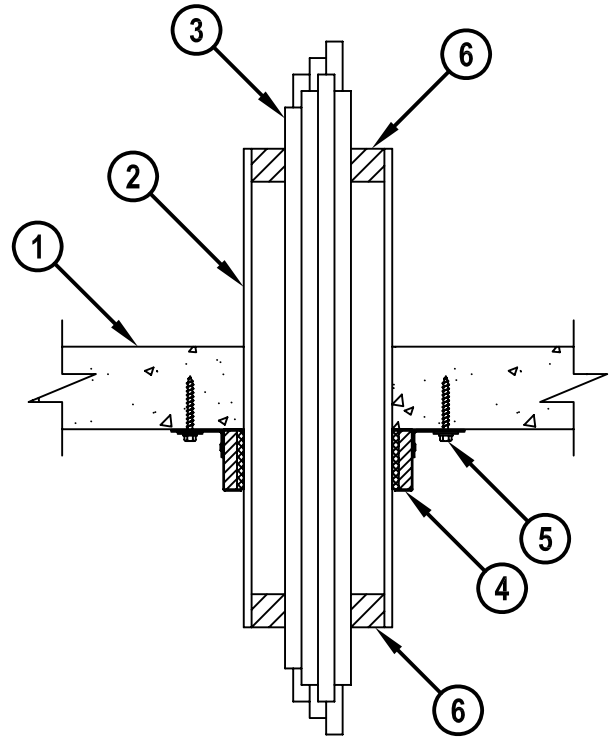
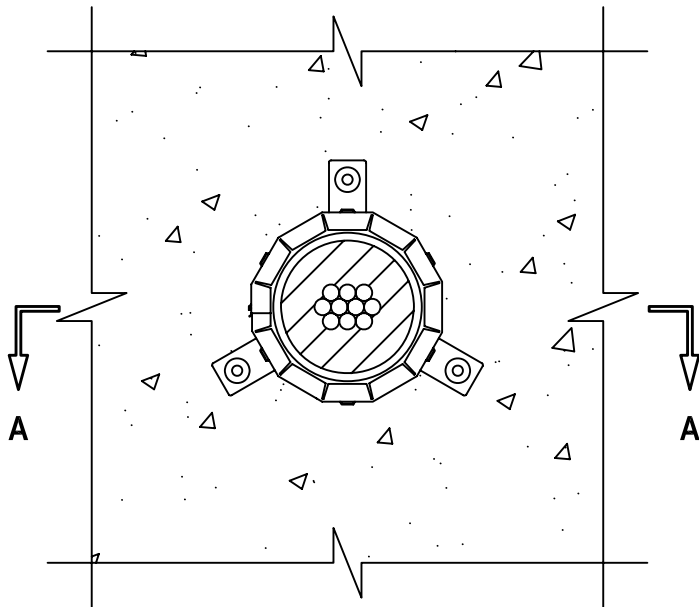
CABLE BUNDLE THROUGH CONCRETE FLOOR/WALL OR BLOCK WALL ASSEMBLY

F-RATING = 2-HR.
T-RATING = 1-3/4-HR.

CAJ3279a.102507

BOTTOM VIEW

SECTION A-A



1. CONCRETE FLOOR OR WALL ASSEMBLY (2-HR. FIRE-RATING) :
 - A. LIGHTWEIGHT OR NORMAL WEIGHT CONCRETE FLOOR OR WALL (MINIMUM 2-1/2" THICK).
 - B. ANY UL/cUL CLASSIFIED PRECAST (HOLLOW-CORE) CONCRETE FLOOR (MINIMUM 6" THICK).
 - C. ANY UL/cUL CLASSIFIED CONCRETE BLOCK WALL.
2. MAXIMUM 4" NOMINAL DIAMETER PVC PLASTIC PIPE SLEEVE (SCH 40) (CELLULAR OR SOLID CORE).
3. CABLE BUNDLE TO BE A COMBINATION OF ANY OF THE FOLLOWING :
 - A. MAXIMUM 100 PAIR NO. 24 AWG TELEPHONE CABLE WITH PVC JACKET.
 - B. MAXIMUM 1/2" DIAMETER FIBER-OPTIC CABLE (24 FIBER).
4. HILTI CP 643N FIRESTOP COLLAR WITH FASTENING HOOKS.
5. EACH FASTENING HOOK SECURED TO BOTTOM OF FLOOR WITH 1/4" x 1-1/2" LONG STEEL EXPANSION BOLTS IN CONJUNCTION WITH STEEL NUTS AND 3/4" DIAMETER STEEL WASHERS.
6. MINIMUM 1" DEPTH HILTI CP 618 FIRESTOP PUTTY STICK APPLIED IN ANNULAR SPACE, FLUSH WITH BOTH ENDS OF SLEEVE.

NOTE : CABLES TO FILL MAXIMUM 35% OF CROSS-SECTIONAL AREA OF SLEEVE.



HILTI, Inc.
Tulsa, Oklahoma USA (800) 879-8000

Sheet	1 of 1
Scale	11/64" = 1"
Date	Oct. 25, 2007

Drawing No.

**CAJ
3279a**