

CABLE BUNDLE THROUGH CONCRETE FLOOR/WALL OR BLOCK WALL ASSEMBLY

F-RATING = 3-HR.

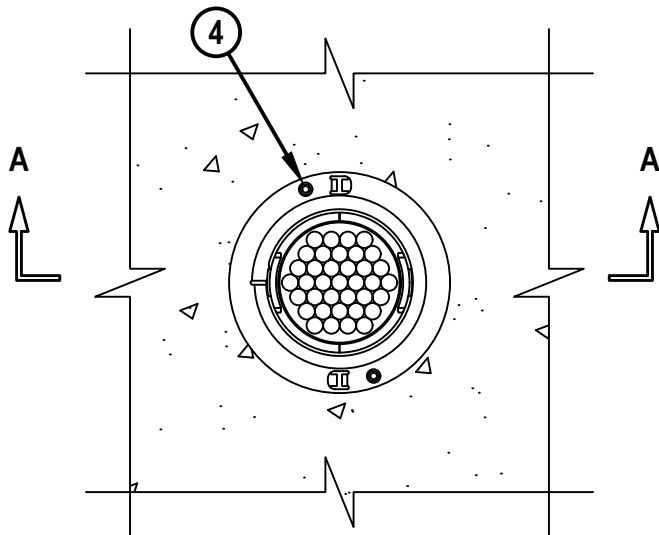
T-RATING = 0-HR., 1-HR., 1 1/2-HR., OR 3-HR.

L-RATING AT AMBIENT = LESS THAN 1 CFM (SEE TABLE)

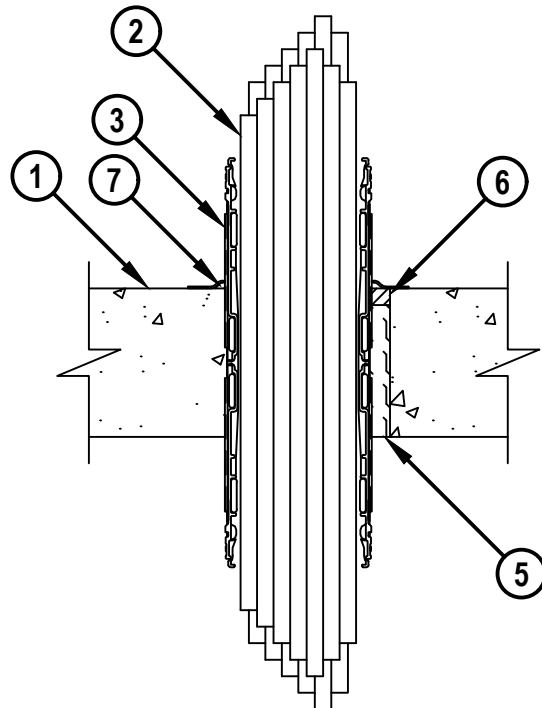
L-RATING AT 400°F = LESS THAN 1 CFM (SEE TABLE)

CAJ3285h.011617

TOP VIEW



SECTION A-A



1. CONCRETE FLOOR OR WALL ASSEMBLY (3-HR. FIRE-RATING) :
 - A. LIGHTWEIGHT OR NORMAL WEIGHT CONCRETE FLOOR (MINIMUM 4-1/2" THICK).
 - B. LIGHTWEIGHT OR NORMAL WEIGHT CONCRETE WALL (MINIMUM 5" THICK).
 - C. ANY UL/cUL CLASSIFIED PRECAST (HOLLOW-CORE) CONCRETE FLOOR (MINIMUM 6" THICK).
 - D. ANY UL/cUL CLASSIFIED CONCRETE BLOCK WALL.
2. CABLE BUNDLE TO BE A COMBINATION OF ANY OF THE FOLLOWING :
 - A. MAXIMUM 100 PAIR NO. 24 AWG TELEPHONE CABLE WITH PVC JACKET.
 - B. MAXIMUM 7/C NO. 12 AWG COPPER CONDUCTOR CONTROL CABLE WITH PVC OR XLPE JACKET AND INSULATION.
 - C. MAXIMUM 4/0 AWG TYPE RHH GROUND CABLE.
 - D. MAXIMUM 4 PAIR NO. 22 AWG CAT 6 COMPUTER CABLE.
 - E. MAXIMUM RG 6/U COAXIAL CABLE.



HILTI, Inc.
Plano, Texas USA (800) 879-8000

Sheet	1 of 2
Scale	11/64" = 1"
Date	Jan. 16, 2017

Drawing No.

**CAJ
3285h**

CABLE BUNDLE THROUGH CONCRETE FLOOR/WALL OR BLOCK WALL ASSEMBLY

F-RATING = 3-HR.

T-RATING = 0-HR., 1-HR., 1 1/2-HR., OR 3-HR.

L-RATING AT AMBIENT = LESS THAN 1 CFM (SEE TABLE)

L-RATING AT 400°F = LESS THAN 1 CFM (SEE TABLE)

CAJ3285h.011617

- F. MAXIMUM 1/2" DIAMETER FIBER-OPTIC CABLE (24 FIBER) WITH PVC OR PE JACKET AND INSULATION.
 - G. MAXIMUM 20/C NO. 22 AWG SHIELDED PRINTER CABLE WITH PVC JACKET.
 - H. MAXIMUM 2/C NO. 18 AWG POWER OR NON-POWER LIMITED FIRE ALARM CABLE WITH OR WITHOUT METAL JACKET (MANUFACTURED BY AFC CABLE SYSTEMS, INC.).
 - I. MAXIMUM 1/4" DIAMETER S-VIDEO CABLE CONSISTING OF TWO MAXIMUM 24 AWG 75 OHM COAX OR TWISTED PAIR CABLE WITH PE INSULATION AND PVC JACKET.
 - J. ANY CABLES, METAL CLAD CABLES, OR ARMORED CABLES CURRENTLY LISTED UNDER THE THROUGH PENETRATING PRODUCTS CATEGORY.
 - K. MAXIMUM 3/C NO. 12 AWG METAL CLAD CABLE.
3. HILTI CP 653 (BA) SPEED SLEEVE (2" OR 4") SLID INTO AND CENTERED WITHIN FLOOR OR WALL. DEVICE FLANGES SPUN CLOCKWISE ONTO DEVICE THREADS, BUTTING TIGHTLY TO TOP SIDE OF FLOOR, OR BOTH SIDES OF WALL (SEE NOTE NO. 4 BELOW).
 4. SECURE DEVICE FLANGE TO TOP OF FLOOR WITH TWO 1-1/4" LONG CONCRETE SCREWS OR ANCHORS.
 5. MINIMUM 4" THICKNESS MINERAL WOOL (MIN. 4 PCF DENSITY) TIGHTLY PACKED.
 6. MINIMUM 1/2" DEPTH HILTI FS-ONE MAX INTUMESCENT FIRESTOP SEALANT, HILTI CP 606 FLEXIBLE FIRESTOP SEALANT, HILTI CFS-S SIL GG FIRESTOP SILICONE SEALANT, OR HILTI CFS-S SIL SL FIRESTOP SILICONE SEALANT FLUSH WITH TOP SURFACE OF FLOOR.
 7. [FOR L-RATING] MINIMUM 1/4" BEAD HILTI FS-ONE MAX INTUMESCENT FIRESTOP SEALANT, HILTI CP 606 FLEXIBLE FIRESTOP SEALANT, HILTI CFS-S SIL GG FIRESTOP SILICONE SEALANT, OR HILTI CFS-S SIL SL FIRESTOP SILICONE SEALANT APPLIED AT POINT OF CONTACT.

MAX CABLE FILL	CABLE TYPE	L RATING, CFM/SQ FT		L RATING, CFM	
		AMBIENT	400°F	AMBIENT	400°F
0%	—	1	2	LESS THAN 1	LESS THAN 1
100%	ANY CABLES (ITEM NO. 2) IN ANY COMBINATION	7	7	LESS THAN 1	LESS THAN 1

NOTES : 1. MAXIMUM DIAMETER OF OPENING = 3" (FOR 2" DEVICE) OR 5" (FOR 4" DEVICE).
 2. CABLES MAY REPRESENT 0% TO 100% VISUAL FILL OF DEVICE.
 3. ANNULAR SPACE BETWEEN DEVICE AND PERIPHERY OF OPENING = MINIMUM 0".
 4. AS AN OPTION IN FLOORS, STEEL SLEEVE OF DEVICE MAY BE INSTALLED FLUSH WITH BOTTOM OF FLOOR.
 5. HILTI FS-ONE MAX INTUMESCENT FIRESTOP SEALANT, HILTI CP 606 FLEXIBLE FIRESTOP SEALANT, OR HILTI CFS-S SIL GG FIRESTOP SILICONE SEALANT IS REQUIRED ON BOTH SIDES OF A WALL ASSEMBLY.

 Hilti Firestop Systems	HILTI, Inc. Plano, Texas USA (800) 879-8000	Sheet	2 of 2	Drawing No. CAJ 3285h
		Scale	-	
		Date	Jan. 16, 2017	
<i>Saving Lives through Innovation and Education</i>				