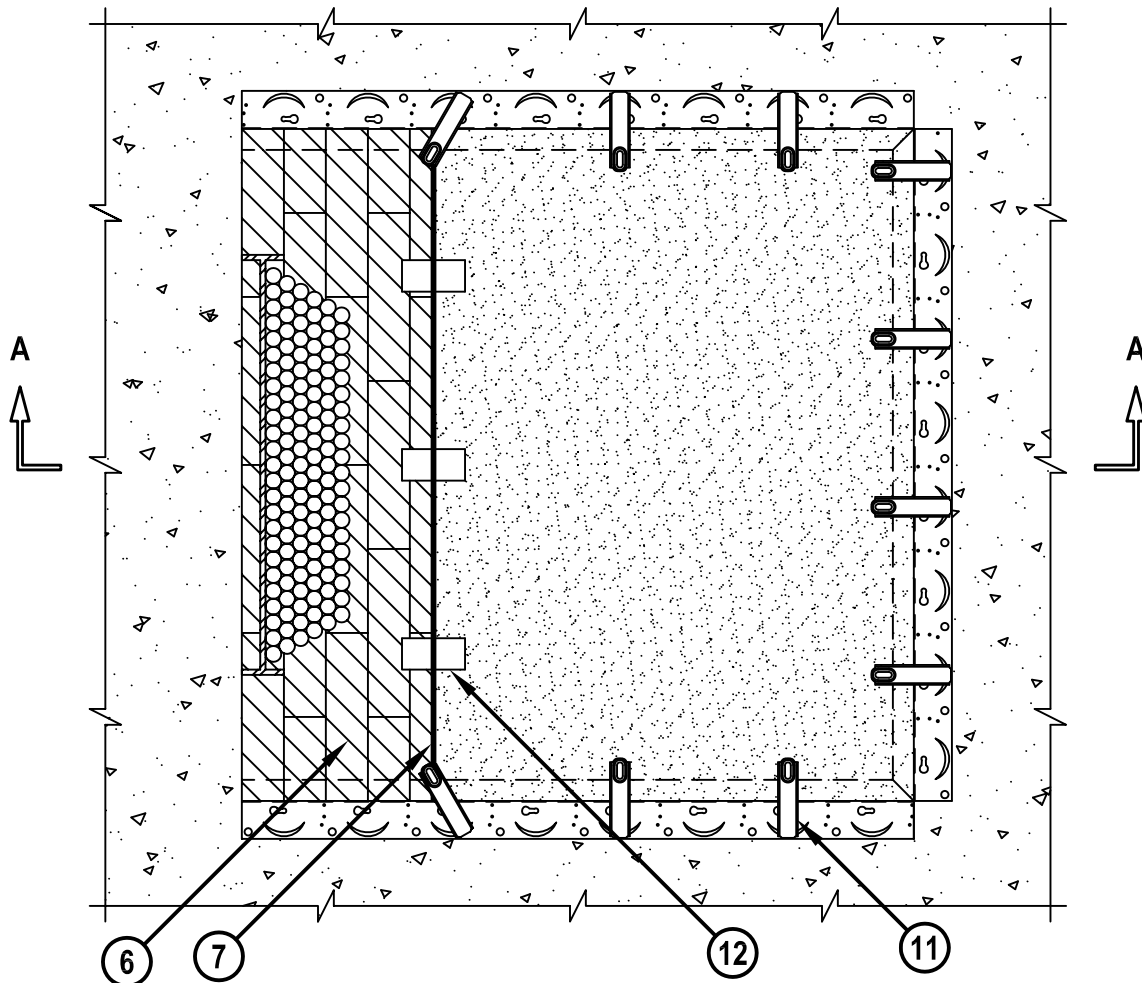


UL/cUL SYSTEM NO. C-AJ-4077

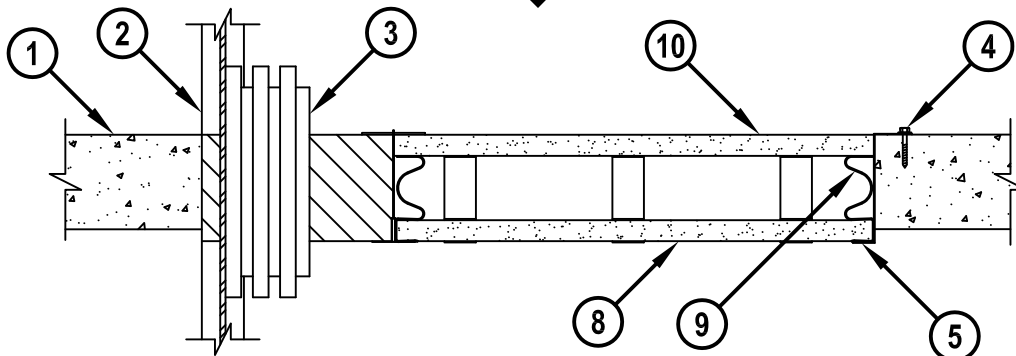
CABLE RACK THROUGH CONCRETE FLOOR/WALL OR BLOCK WALL

F-RATING = 2-HR.
T-RATING = 1/2-HR.

TOP VIEW



SECTION A-A



1. CONCRETE FLOOR OR WALL ASSEMBLY (2-HR. FIRE-RATING) :

- A. LIGHTWEIGHT OR NORMAL WEIGHT CONCRETE FLOOR OR WALL (MINIMUM 4-1/2" THICK).
- B. ANY UL/cUL CLASSIFIED (SOLID OR FILLED) CONCRETE BLOCK WALL.



Hilti Firestop Systems

HILTI, Inc.
Tulsa, Oklahoma USA (800) 879-8000

Sheet 1 of 2

Scale 7/64" = 1"

Date Jan. 05, 2012

Drawing No.

**CAJ
4077b**

Saving Lives through Innovation and Education

CAJ4077b.010512

CABLE RACK THROUGH CONCRETE FLOOR/WALL OR BLOCK WALL

F-RATING = 2-HR.
T-RATING = 1/2-HR.

CAJ4077b.010512

2. MAXIMUM 20" WIDE CABLE RACK WITH 2" x 3/8" THICK SOLID STEEL SIDE RAILS.
3. CABLES TO BE A COMBINATION OF ANY OF THE FOLLOWING (CABLE LOADING NOT TO EXCEED 4") :
 - A. MAXIMUM 750 KCMIL RHW/RHH POWER CABLE WITH PVC JACKET.
 - B. MAXIMUM 300 PAIR NO. 24 AWG TELEPHONE CABLE WITH PVC JACKET.
 - C. MAXIMUM 24 FIBER, FIBER OPTIC CABLE WITH PVC JACKET.
 - D. MAXIMUM 7/C NO. 12 AWG CABLE WITH PVC JACKET.
4. CP 675T FIRESTOP Z-FRAME CUT TO LENGTH FOR THREE SIDES OF THE OPENING. EACH PIECE OF Z-FRAME FASTENED TO THE FLOOR OR WALL AT EACH END AND NO GREATER THAN 12" OC ALONG ITS LENGTH WITH 3/16" x 1-1/4" LONG STEEL CONCRETE SCREW ANCHORS.
5. HILTI CP 619T FIRESTOP PUTTY ROLL APPLIED TO THE BACK LIP OF THE Z-FRAME.
6. HILTI CFS-BL FIRESTOP BLOCKS OR HILTI FS 657 FIRE BLOCKS TO FILL AREA BETWEEN CABLE RACK/CABLES, FLOOR OR WALL, AND T-BAR (ITEM 7) MAXIMUM 3 ROWS OF BLOCKS INSTALLED BETWEEN THE CABLE AND T-BAR. BLOCKS INSTALLED WITH 5" DIMENSION PROJECTING THROUGH OPENING FLUSH WITH BACK LIP OF Z-FRAME (ITEM 4). EITHER ONE OR A COMBINATION OF THE BLOCK TYPES MAY BE USED.
7. HILTI CP 675T T-BAR CUT 1/4" SHORTER THAN OPENING DIMENSION. T-BAR LOCATED MAXIMUM 4" FROM CABLES AND DIRECTLY ADJACENT TO THE FIRESTOP BLOCKS/FIRE BLOCKS (ITEM 6).
8. HILTI CP 675T FIRESTOP BOARD (BOARD 1) CUT TO FIT WITHIN OPENING ABOVE T-BAR WITH MAXIMUM 1/4" GAP AROUND PERIMETER. (SEE NOTE NO. 3 BELOW).
9. HILTI CP 675T DISTANCE HOLDERS CLIPPED OVER FIRST LAYER OF BOARD (ITEM 8), SPACED 8" OC AROUND PERIMETER OF BOARD. SLIDE FIRESTOP BOARD 1 WITH DISTANCE HOLDERS INTO OPENING AND PUSH BACK FLUSH WITH BACK LIP OF Z-FRAME.
10. HILTI CP 675T FIRESTOP BOARD (BOARD 2) CUT TO FIT WITHIN OPENING ABOVE T-BAR WITH MAXIMUM 1/4" GAP AROUND PERIMETER. SLIDE FIRESTOP BOARD 2 INTO OPENING AGAINST DISTANCE HOLDERS. FIRESTOP BOARD 2 SHOULD BE FLUSH WITH TOP SURFACE OF FLOOR. (SEE NOTE NO. 3 BELOW).
11. HILTI Z-FRAME LATCHES SECURED TO Z-FRAME AT 8" C/C (MINIMUM 2 PER SIDE) AND ROTATED AND LOCKED IN PLACE SO THAT THE LATCHES EXTEND OVER THE SECOND LAYER OF FIRESTOP BOARD AND BOTH ENDS OF T-BAR.
12. SLIDING T-BAR LATCHES (MINIMUM QUANTITY = 2) SPACED MAXIMUM 10" OC AND SLID INTO T-BAR, OVERLAPPING FIRESTOP BOARD AND FIRESTOP BLOCKS/FIRE BLOCKS.

NOTES :

1. MAXIMUM AREA OF OPENING = 900 SQ. IN., WITH A MAXIMUM DIMENSION OF 30".
2. ANNULAR SPACE BETWEEN CABLE RACK AND PERIPHERY OF OPENING = MINIMUM 0", MAXIMUM 28".
3. WHEN GAP BETWEEN BOARD AND OPENING IS 1/8" TO 1/4", THE GAP SHALL BE FILLED TO A 1" DEPTH WITH ONE OF HILTI CP 618 FIRESTOP PUTTY OR CP 619T FIRESTOP PUTTY ROLL.
4. THE MEETING EDGES BETWEEN THE Z-FRAME AND THE FIRESTOP BOARD (UP TO AND IN BETWEEN THE Z-FRAME LATCHES) SHALL BE COVERED WITH 1" WIDE CP 619T FIRESTOP PUTTY ROLL.



HILTI, Inc.
Tulsa, Oklahoma USA (800) 879-8000

Sheet	2 of 2
Scale	-
Date	Jan. 05, 2012

Drawing No.

**CAJ
4077b**