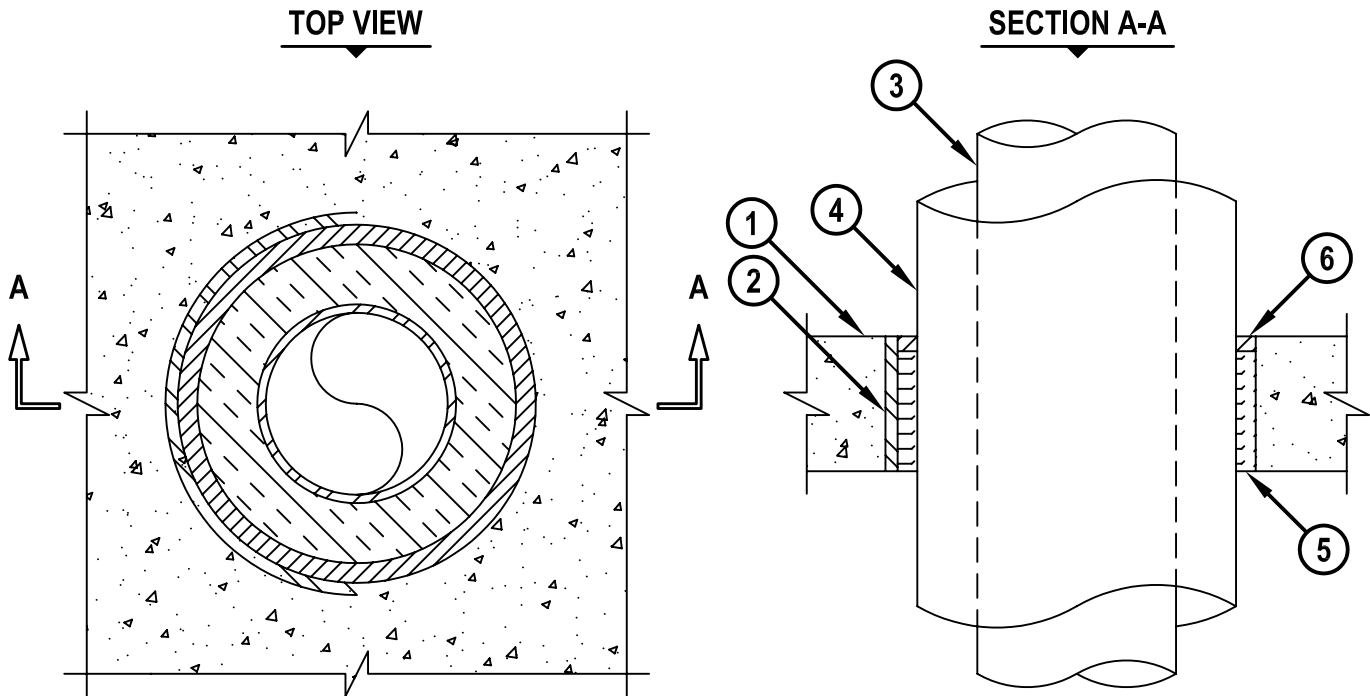


**INSULATED METAL PIPE THROUGH CONCRETE FLOOR/WALL OR BLOCK WALL**

F-RATING = 2-HR.  
T-RATING = 0 AND 1/2-HR.

CAJ5265aq.032404



1. CONCRETE FLOOR OR WALL ASSEMBLY (2-HR. FIRE-RATING) :
  - A. LIGHTWEIGHT OR NORMAL WEIGHT CONCRETE FLOOR (MINIMUM 4-1/2" THICK).
  - B. LIGHTWEIGHT OR NORMAL WEIGHT CONCRETE WALL (MINIMUM 5" THICK).
  - C. ANY UL/cUL CLASSIFIED CONCRETE BLOCK WALL.
2. OPTIONAL : MAXIMUM 12" NOMINAL DIAMETER STEEL PIPE SLEEVE (SCHEDULE 10 OR HEAVIER).
3. PENETRATING ITEM TO BE ONE OF THE FOLLOWING :
  - A. MAXIMUM 6" NOMINAL DIAMETER STEEL PIPE (SCHEDULE 10 OR HEAVIER).
  - B. MAXIMUM 6" NOMINAL DIAMETER CAST OR DUCTILE IRON PIPE.
  - C. MAXIMUM 6" NOMINAL DIAMETER COPPER PIPE.
4. MAXIMUM 2" THICK GLASS-FIBER PIPE INSULATION.
5. MINIMUM 4" THICKNESS MINERAL WOOL (MINIMUM 4 PCF DENSITY) TIGHTLY PACKED.
6. MINIMUM 1/2" DEPTH HILTI CP 606 FLEXIBLE FIRESTOP SEALANT.

**NOTES :** 1. MAXIMUM DIAMETER OF OPENING = 12".  
 2. ANNULAR SPACE = MINIMUM 1/4", MAXIMUM 1-5/8".  
 3. T-RATING = 0-HR. WHEN GLASS FIBER INSULATION IS LESS THAN 2" THICK.  
 4. MINIMUM 1/2" DEPTH HILTI CP 606 FLEXIBLE FIRESTOP SEALANT IS REQUIRED ON BOTH SIDES OF A WALL ASSEMBLY.



HILTI, Inc.  
Tulsa, Oklahoma USA (918) 252-6000

Sheet	1 of 1
Scale	5/32" = 1"
Date	March 24, 2004

Drawing No.

**CAJ  
5265a**