

UL/cUL SYSTEM NO. C-AJ-7006

GREASE DUCT THROUGH CONCRETE FLOOR/WALL OR BLOCK WALL ASSEMBLY

F-RATING = 3-HR.

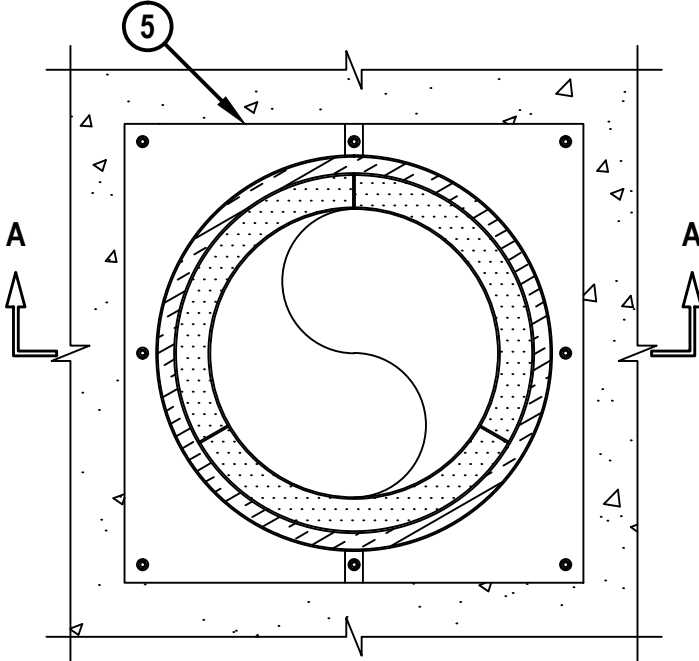
T-RATING = 3-HR.

L-RATING AT AMBIENT = LESS THAN 1 CFM / SQ FT

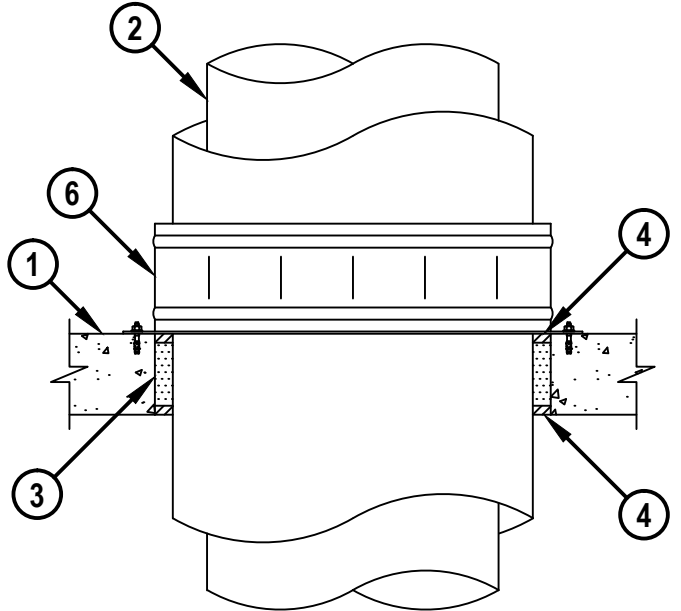
L-RATING AT 400°F = 4 CFM / SQ FT

CAJ7006c.021218

TOP VIEW



SECTION A-A



HILTI, Inc.
Plano, Texas USA (800) 879-8000

Sheet 1 of 2
Scale 3/32" = 1"
Date Feb. 12, 2018

Drawing No.
**CAJ
7006c**

Saving Lives through Innovation and Education

GREASE DUCT THROUGH CONCRETE FLOOR/WALL OR BLOCK WALL ASSEMBLY

F-RATING = 3-HR.

T-RATING = 3-HR.

L-RATING AT AMBIENT = LESS THAN 1 CFM / SQ FT

L-RATING AT 400°F = 4 CFM / SQ FT

CAJ7006c.021218

1. CONCRETE FLOOR OR WALL ASSEMBLY (3-HR. FIRE-RATING) :
 - A. LIGHTWEIGHT OR NORMAL WEIGHT CONCRETE FLOOR OR WALL (MINIMUM 4-1/2" THICK).
 - B. ANY UL/cUL CLASSIFIED CONCRETE BLOCK WALL.
2. MAXIMUM 36" NOMINAL DIAMETER GREASE DUCT MANUFACTURED BY METAL-FAB, INC. (SEE TABLE BELOW).
3. MINIMUM 3-1/2" THICKNESS CERAMIC FIBER (MIN. 6 PCF DENSITY) TIGHTLY PACKED AND RECESSED TO ACCOMMODATE FIRESTOP SEALANT.
4. MINIMUM 1/2" DEPTH HILTI FS-ONE MAX OR FS-ONE INTUMESCENT FIRESTOP SEALANT FLUSH WITH BOTH SIDES OF FLOOR. ADDITIONAL MINIMUM 1/2" BEAD TO BE INSTALLED AROUND DUCT.
5. TWO PIECE GALVANIZED STEEL COVER PLATE (MIN. 0.033" THICK) CUT TO FOLLOW CONTOUR OF DUCT. STEEL PLATE APPLIED TO TOP SURFACE OF FLOOR WITH MINIMUM 1" OVERLAP OF PIECES AND FASTENED WITH 1/4" x 1-1/4" LONG STEEL EXPANSION BOLTS (SPACED MAXIMUM 22" C/C).
6. TWO PIECE CLOSURE BAND (0.024" THICK STEEL, LINED WITH 1" THICK CERAMIC FIBER) SECURED TOGETHER WITH 1/4-20 x 1-3/4" LONG HEX-HEAD BOLTS AND NUTS.

TYPE OF GREASE DUCT OR SPECIAL GAS VENT	MAX NOM INSIDE DIAM, IN. (m)	F-RATING, HR	T-RATING, HR
IPIC SERIES 4G (IPIC-4G)	36 (0.91)	3	3
IPIC SERIES 3G (IPIC-3)	36 (0.91)	3	3
FCS-3 CORR/GUARD	36 (0.91)	3	3
IPIC SERIES 2G (IPIC-2)	18 (0.46)	2	2

NOTES : 1. MAXIMUM DIAMETER OF OPENING = 46".
 2. ANNULAR SPACE = NOMINAL 1".
 3. HILTI FS-ONE MAX OR FS-ONE INTUMESCENT FIRESTOP SEALANT, STEEL COVER PLATE AND CLOSURE BAND ARE REQUIRED ON BOTH SIDES OF A WALL.



HILTI, Inc.
 Plano, Texas USA (800) 879-8000

Sheet	2 of 2
Scale	-
Date	Feb. 12, 2018

Drawing No.
**CAJ
 7006c**