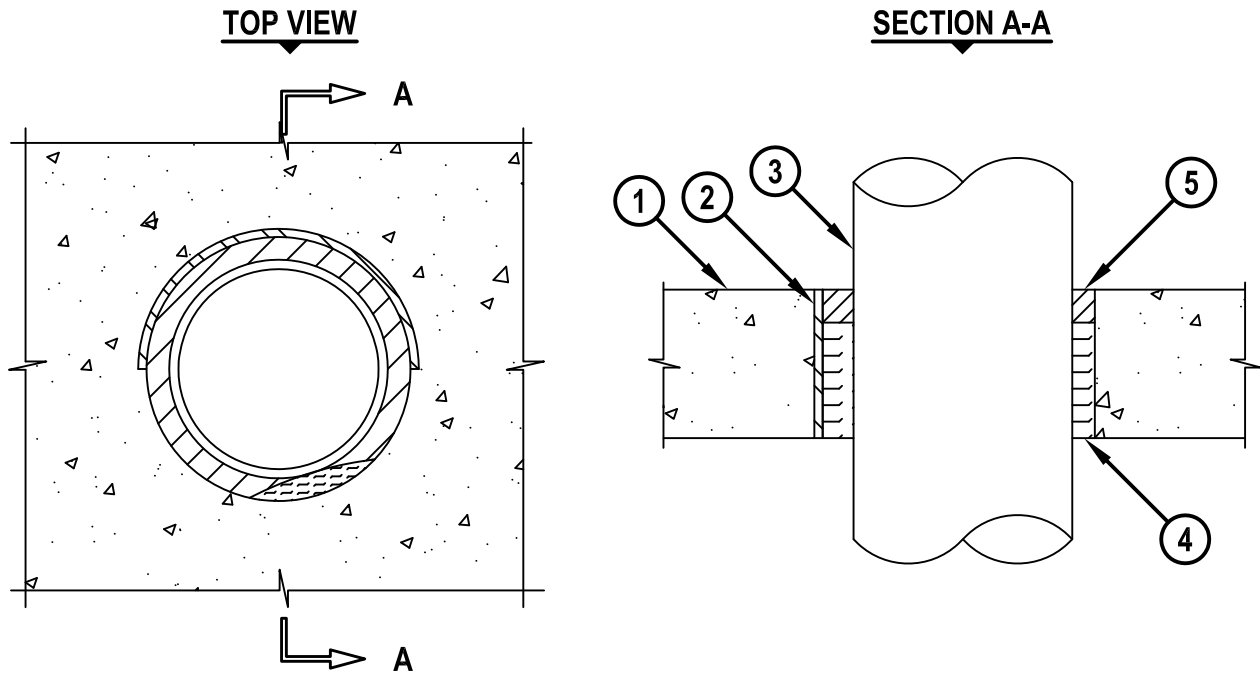


METALLIC PIPE THROUGH CONCRETE FLOOR/WALL ASSEMBLY

F-RATING = 4-HR.

T-RATING = 0-HR.

CBJ1037b.010615



1. HEBEL USA PRECAST AUTOCLAVED AERATED CONCRETE FLOOR/WALL.
2. [OPTIONAL] MAXIMUM 8" NOMINAL DIAMETER STEEL PIPE SLEEVE (SCHEDULE 10).
3. PENETRATING ITEM TO BE ONE OF THE FOLLOWING :
 - A. MAXIMUM 6" NOMINAL DIAMETER STEEL PIPE (SCHEDULE 10 OR HEAVIER).
 - B. MAXIMUM 6" NOMINAL DIAMETER CAST IRON PIPE.
 - C. MAXIMUM 6" NOMINAL DIAMETER COPPER PIPE.
 - D. MAXIMUM 6" NOMINAL DIAMETER STEEL CONDUIT.
 - E. MAXIMUM 4" NOMINAL DIAMETER EMT.
4. MINIMUM 4" THICKNESS MINERAL WOOL (MIN. 4 PCF DENSITY) TIGHTLY PACKED.
5. MINIMUM 1" DEPTH HILTI FS-ONE MAX OR FS-ONE INTUMESCENT FIRESTOP SEALANT.

NOTES : 1. MAXIMUM DIAMETER OF OPENING = 8".
 2. ANNULAR SPACE = 15/16" WHEN SLEEVE IS USED.
 3. ANNULAR SPACE = MINIMUM 0", MAXIMUM 1 7/8" WHEN SLEEVE IS NOT USED.
 4. APPLY 1/2" BEAD OF HILTI FS-ONE MAX OR FS-ONE AT POINT OF CONTACT.
 5. WALLS REQUIRE MINIMUM 1" DEPTH HILTI FS-ONE MAX OR FS-ONE FIRESTOP SEALANT FLUSH WITH BOTH SIDES.



HILTI, Inc.
 Tulsa, Oklahoma USA (800) 879-8000

Sheet	1 of 1
Scale	11/64" = 1"
Date	Jan. 06, 2015

Drawing No.
**CBJ
 1037b**