

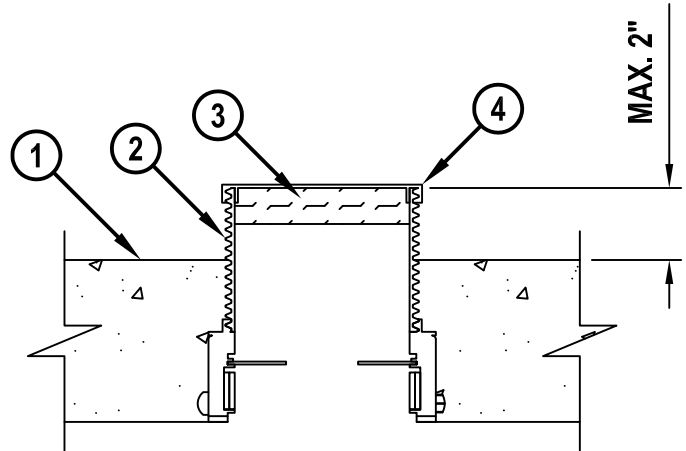
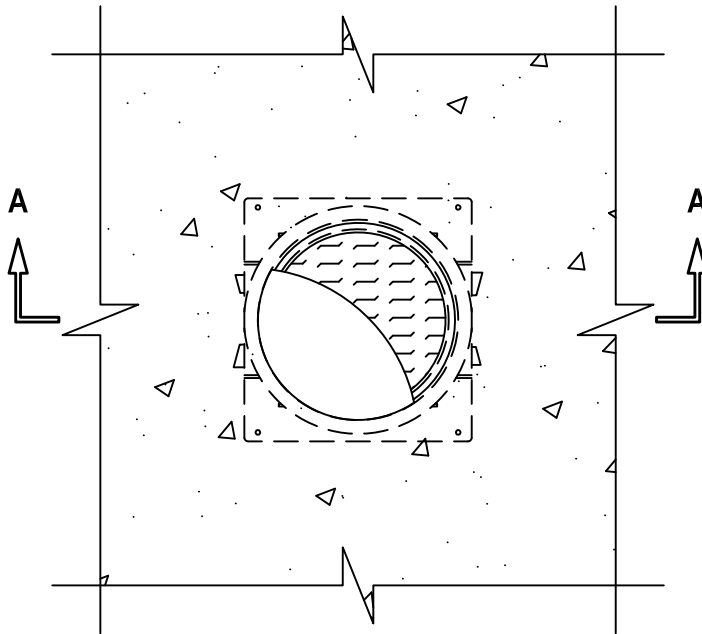
**BLANK OPENING THROUGH CONCRETE FLOOR OR CONCRETE FLOOR  
OVER METAL DECKING**

F-RATING = 3-HR.  
T-RATING = 3-HR.

FA0014c.070215

**TOP VIEW**

**SECTION A-A**



1. CONCRETE FLOOR ASSEMBLY (3-HR. FIRE-RATING) :
  - A. LIGHTWEIGHT OR NORMAL WEIGHT CONCRETE FLOOR (MINIMUM 4-1/2" THICK).
  - B. STEEL FLOOR UNIT/FLOOR ASSEMBLY - LIGHTWEIGHT OR NORMAL WEIGHT CONCRETE FLOOR (MINIMUM 4-1/2" THICK) OVER METAL DECKING.
2. HILTI CP 680-M [2", 3", or 4"], CP 680-P [2", 3" OR 4"] , OR CP680-PX [2" OR 3"] CAST-IN FIRESTOP DEVICE, CAST OR GROUTED INTO CONCRETE FLOOR.
3. MINIMUM 1" THICKNESS MINERAL WOOL (MINIMUM 4 PCF DENSITY) TIGHTLY PACKED AND FLUSH WITH TOP OF FIRESTOP DEVICE.
4. HILTI FIRESTOP DEVICE CAP THREADED ONTO TOP OF FIRESTOP DEVICE.

**NOTE : FOR CONCRETE FLOOR OVER METAL DECKING APPLICATIONS,  
A METAL DECK ADAPTER KIT IS REQUIRED.**



HILTI, Inc.  
Tulsa, Oklahoma USA (800) 879-8000

Sheet	1 of 1
Scale	3/16" = 1"
Date	July 2, 2015

Drawing No.  
**FA  
0014c**