

INSULATED METAL PIPE THROUGH CONCRETE FLOOR ASSEMBLY

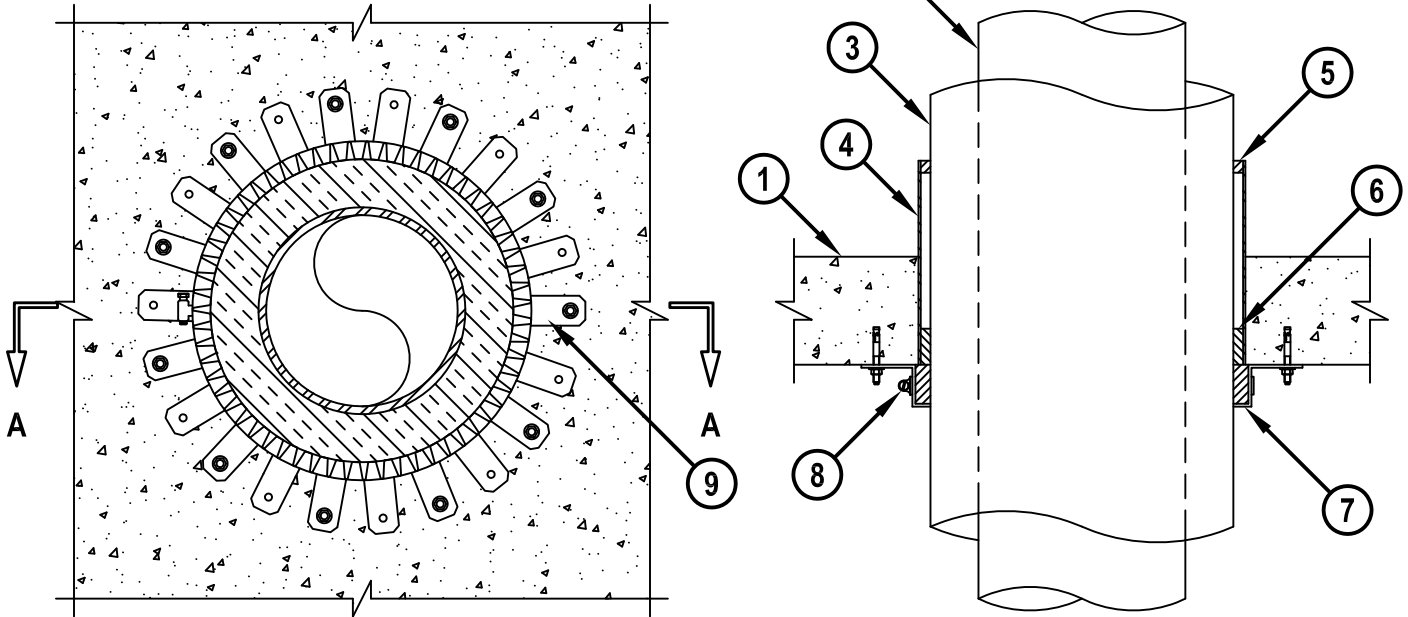
F-RATING = 2-HR.

T-RATING = 0-HR.

FA5009g.011515

BOTTOM VIEW

SECTION A-A



1. LIGHTWEIGHT OR NORMAL WEIGHT CONCRETE FLOOR ASSEMBLY (MINIMUM 4-1/2" THICK) (2-HR. FIRE-RATING).
2. MAXIMUM 10" NOMINAL DIAMETER STEEL PIPE (SCHEDULE 10 OR HEAVIER).
3. MAXIMUM 2" THICKNESS GLASS-FIBER PIPE INSULATION.
4. STEEL SHEET METAL SLEEVE (MIN. 24 GA.) EXTENDING MAXIMUM 4" ABOVE CONCRETE FLOOR ASSEMBLY.
5. MINIMUM 1/2" DEPTH HILTI FS-ONE MAX OR FS-ONE INTUMESCENT FIRESTOP SEALANT FLUSH WITH TOP OF STEEL SLEEVE.
6. MINIMUM 1-1/2" DEPTH HILTI FS-ONE MAX OR FS-ONE INTUMESCENT FIRESTOP SEALANT.
7. HILTI RETAINING COLLAR COMPLETELY FILLED WITH HILTI FS-ONE MAX OR FS-ONE INTUMESCENT FIRESTOP SEALANT.
8. NOMINAL 1/2" WIDE STAINLESS STEEL HOSE CLAMP FASTENED AT MID-HEIGHT OF RETAINING COLLAR.
9. HILTI 1/4" KWIK-BOLT II ANCHORS WITH WASHERS TO ATTACH EVERY OTHER TAB OF RETAINING COLLAR TO CONCRETE FLOOR ASSEMBLY.

NOTES : 1. MAXIMUM DIAMETER OF OPENING = 15".
2. ANNULAR SPACE = MINIMUM 1/4", MAXIMUM 1/2".



HILTI, Inc.
Tulsa, Oklahoma USA (800) 879-8000

| | |
|-------|---------------|
| Sheet | 1 of 1 |
| Scale | 1/8" = 1" |
| Date | Jan. 15, 2015 |

Drawing No.
**FA
5009g**