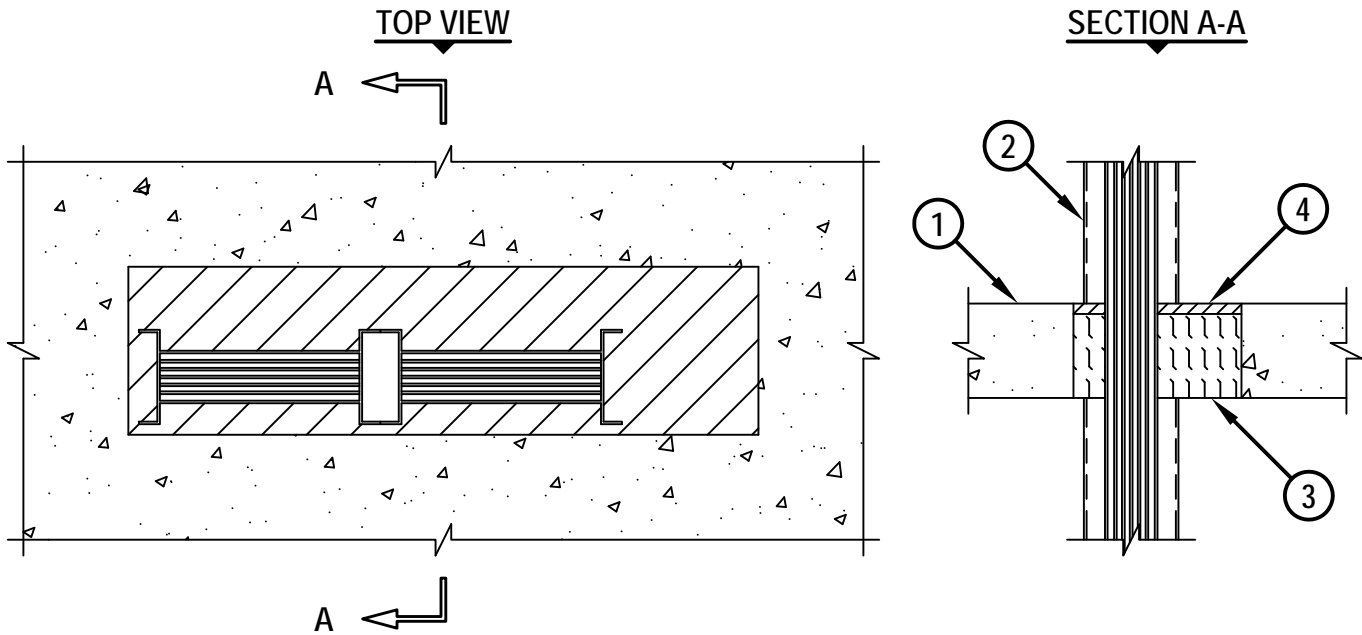


ELECTRICAL BUSWAY THROUGH CONCRETE FLOOR ASSEMBLY

F-RATING = 2-HR.

T-RATING = 0-HR.

FA6002b.010914



1. LIGHTWEIGHT OR NORMAL WEIGHT CONCRETE FLOOR ASSEMBLY (MINIMUM 4-1/2" THICK) (2-HR. FIRE-RATING).
2. ELECTRICAL BUSWAY (UL/cUL CLASSIFIED) (MAXIMUM 23" WIDE x 4-1/2" DEEP) ("I" SHAPED ALUMINUM ENCLOSURE CONTAINING FACTORY MOUNTED ALUMINUM BARS RATED FOR 600V, 4000A OR COPPER BARS RATED FOR 600V, 5000A).
3. MINIMUM 4" THICKNESS MINERAL WOOL (MINIMUM 4 PCF DENSITY) TIGHTLY PACKED AND RECESSED TO ACCOMMODATE FIRESTOP SEALANT.
4. MINIMUM 1/2" DEPTH HILTI CP 604 SELF-LEVELING FIRESTOP SEALANT, HILTI CFS-S SIL GG FIRESTOP SILICONE SEALANT, OR HILTI CFS-S SIL SL FIRESTOP SILICONE SEALANT FLUSH WITH TOP SURFACE OF FLOOR.

NOTES : 1. MAXIMUM SIZE OF OPENING = 30" x 8".
 2. ANNULAR SPACE = MINIMUM 1/2", MAXIMUM 6-1/2".



HILTI, Inc.
 Tulsa, Oklahoma USA (800) 879-8000

Sheet	1 of 1
Scale	9/64" = 1"
Date	Jan. 09, 2014

Drawing No.
**FA
 6002b**