

**DRAIN PIPE THROUGH HOLLOW-CORE CONCRETE FLOOR ASSEMBLY**

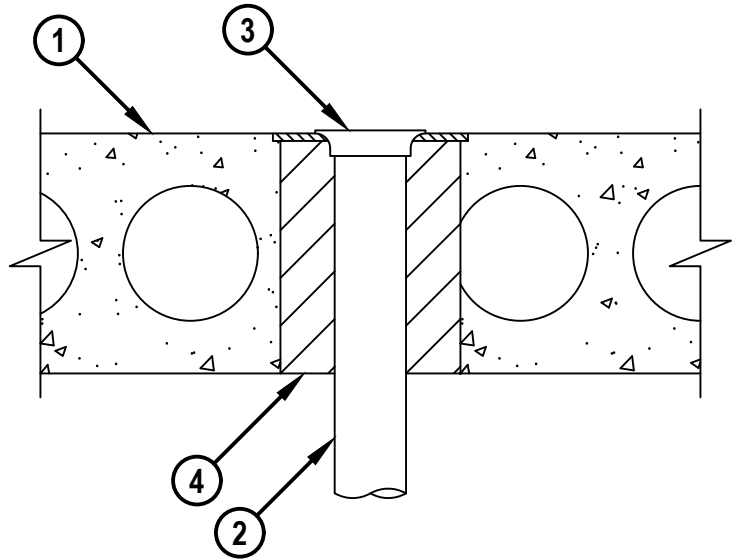
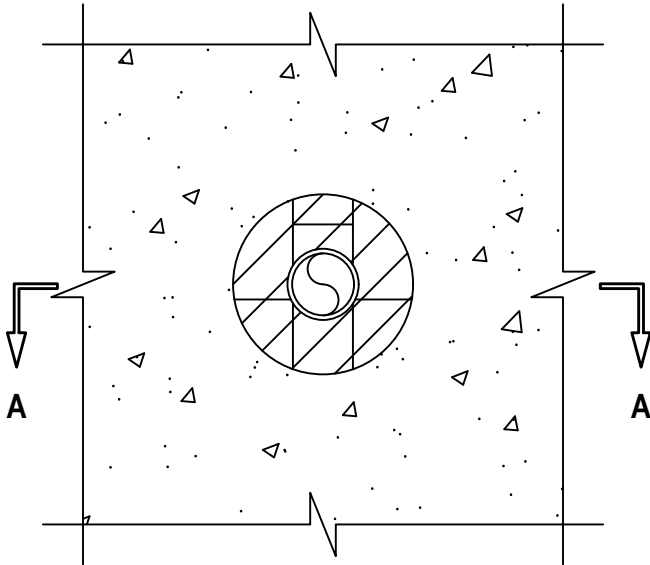
F-RATING = 3-HR.

T-RATING = 0-HR.

NOTE : TESTED WITH A 2.5 Pa PRESSURE DIFFERENTIAL

**BOTTOM VIEW**

**SECTION A-A**



FB2031c-030823

1. ANY UL CLASSIFIED (J900 OR K900 SERIES) PRECAST (HOLLOW-CORE) CONCRETE FLOOR ASSEMBLY (MINIMUM 8" THICK) (3-HR. FIRE-RATING).
2. MAXIMUM 2" NOMINAL DIAMETER PVC PLASTIC PIPE (SCH 40) (SOLID CORE OR CELLULAR CORE).
3. MAXIMUM 6" NOMINAL DIAMETER CAST IRON, POLISHED BRASS, POLISHED STAINLESS STEEL, OR PVC SNAP-IN STRAINER INSTALLED AFTER DRAIN PIPING.
4. HILTI CFS-BL FIRESTOP BLOCK OR HILTI FS 657 FIRE BLOCK (2" THICK, 5" WIDE, 8" DEEP, REFERENCE : BOTTOM VIEW) FIRMLY PACKED AND TO FILL ENTIRE ANNULAR SPACE. EITHER ONE OR A COMBINATION OF BLOCK TYPES MAY BE USED.
5. [NOT SHOWN] ONE-PIECE MOLDED FIBERGLASS SHOWER FLOOR ASSEMBLY WITH RIBBED UNDERBODY. SHOWER FLOOR ASSEMBLY PROVIDED WITH MINIMUM 2-1/2" WIDE X 2-1/2" HIGH THRESHOLD AND 2-1/2" DIAMETER OPENING WITH "NO-HUB" SANITARY WASTE CONNECTION TO ALLOW FOR INSTALLATION OF FLOOR DRAIN.

NOTES : 1. MAXIMUM DIAMETER OF OPENING = 6".  
2. ANNULAR SPACE = MINIMUM 1", MAXIMUM 2-5/8".



HILTI, Inc.  
Tulsa, Oklahoma USA (800) 879-8000

Sheet	1 of 1
Scale	5/32" = 1"
Date	Mar. 08, 2023

Drawing No.

**FB  
2031c**