

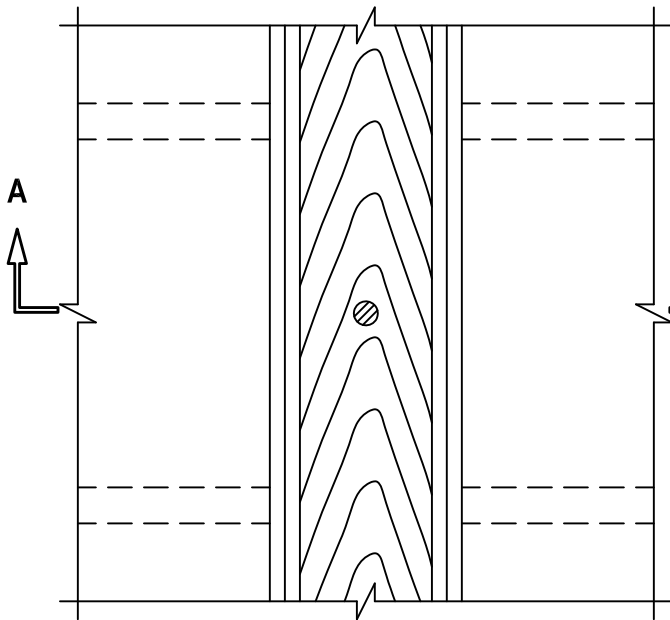
BLANK OPENING THROUGH WOOD FLOOR/CEILING ASSEMBLY

F-RATING = 1-HR. OR 2-HR.

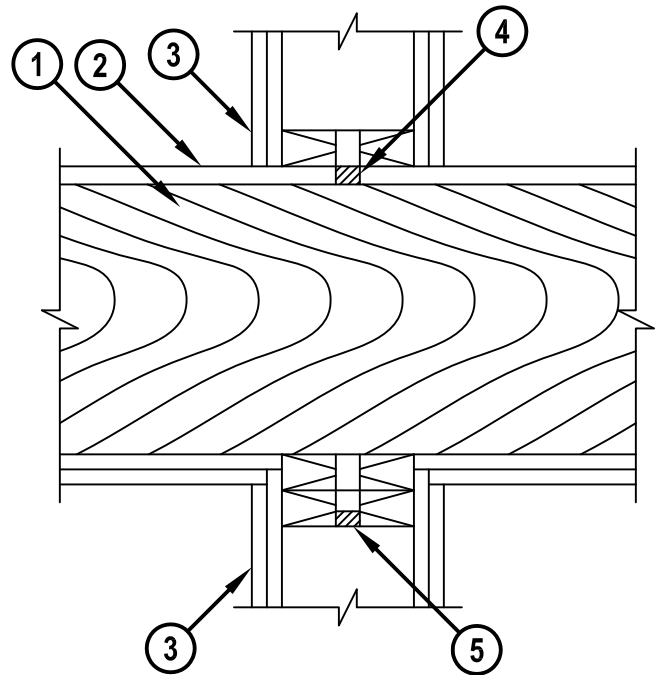
T-RATING = 1-HR. OR 2-HR.

FC0002c.010715

TOP VIEW



SECTION A-A



1. WOOD FLOOR/CEILING ASSEMBLY (UL/cUL CLASSIFIED L500 SERIES) (1-HR. OR 2-HR. FIRE-RATING) (2-HR. SHOWN).
2. LUMBER OR PLYWOOD SUBFLOOR WITH FINISH FLOOR OF LUMBER, PLYWOOD, OR FLOOR TOPPING MIXTURE.
3. [OPTIONAL] GYPSUM WALL ASSEMBLY (UL/cUL CLASSIFIED U300 SERIES) (1-HR. OR 2-HR. FIRE-RATING) (2-HR. SHOWN) CONSISTING OF NOMINAL 2" x 4" OR 2" x 6" LUMBER PLATES AND STUDS.
4. MINIMUM 3/4" DEPTH HILTI FS-ONE MAX OR FS-ONE INTUMESCENT FIRESTOP SEALANT OR CP 606 FLEXIBLE FIRESTOP SEALANT FLUSH WITH TOP SURFACE OF FLOOR OR SOLE PLATE OF CHASE WALL.
5. MINIMUM 5/8" DEPTH HILTI FS-ONE MAX OR FS-ONE INTUMESCENT FIRESTOP SEALANT OR CP 606 FLEXIBLE FIRESTOP SEALANT FLUSH WITH BOTTOM SURFACE OF CEILING OR LOWER TOP PLATE.

NOTE : MAXIMUM DIAMETER OF OPENING = 1".



HILTI, Inc.
Tulsa, Oklahoma USA (800) 879-8000

Sheet	1 of 1
Scale	1/8" = 1"
Date	Jan. 07, 2015

Drawing No.
**FC
0002c**