

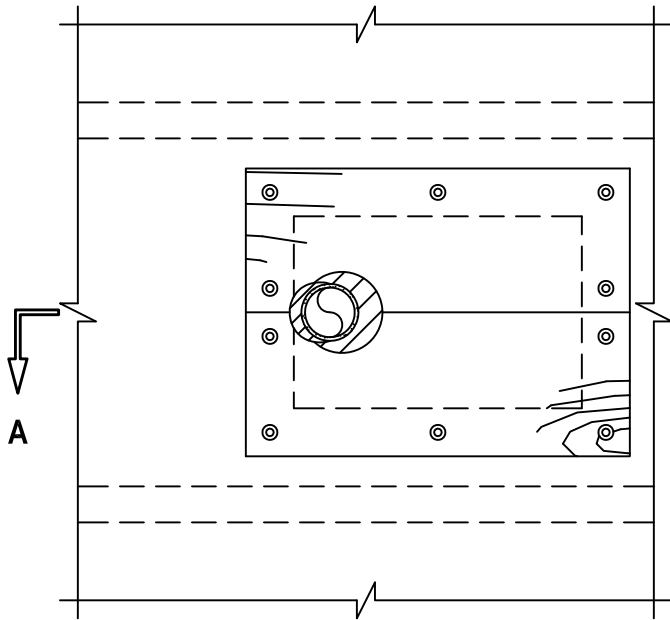
CAST IRON THROUGH WOOD FLOOR/CEILING ASSEMBLY

F-RATING = 1-HR.

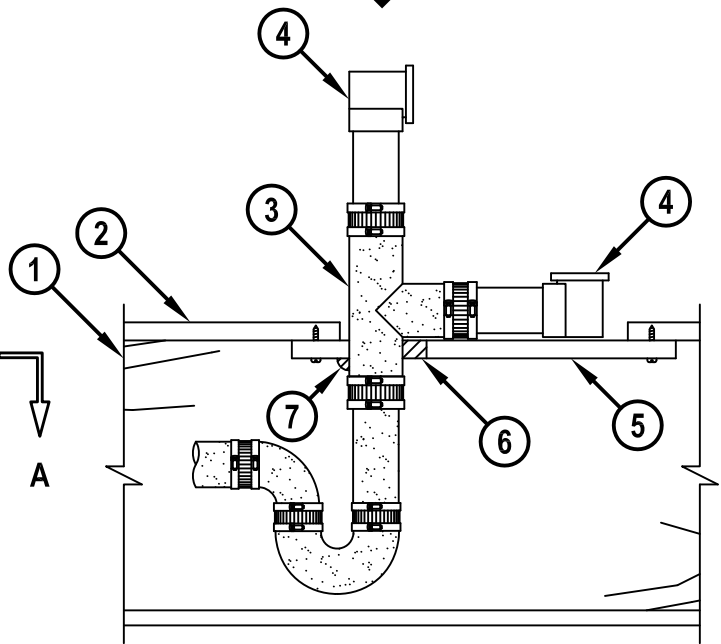
T-RATING = 0-HR.

FC1135c.012415

BOTTOM VIEW



SECTION A-A



1. WOOD FLOOR/CEILING ASSEMBLY (UL/cUL CLASSIFIED L500 SERIES) (1-HR. FIRE-RATING).
2. LUMBER OR PLYWOOD SUBFLOOR WITH FINISH FLOOR OF LUMBER, PLYWOOD, OR FLOOR TOPPING MIXTURE.
3. MAXIMUM 1-1/2" NOMINAL DIAMETER CAST IRON PIPE, P-TRAP, DRAIN AND TEE CONNECTED WITH STAINLESS STEEL "NO-HUB" CONNECTORS.
4. MAXIMUM 1-1/2" NOMINAL DIAMETER ABS, PVC OR BRASS BATHTUB WASTE/OVERFLOW FITTINGS.
5. 3/4" THICK PLYWOOD PATCH SIZED TO OVERLAP MINIMUM 2" BEYOND EACH EDGE OF RECTANGULAR OPENING. TWO PIECES POSITIONED AROUND DRAIN PIPING WITH CUT EDGES TIGHTLY BUTTED, AND SCREW ATTACHED TO UNDERSIDE OF SUBFLOOR WITH 1-1/4" LONG STEEL SCREWS (SPACED MAXIMUM 6" C/C) (SEE NOTE NO. 3 BELOW).
6. MINIMUM 5/8" DEPTH HILTI FS-ONE MAX OR FS-ONE INTUMESCENT FIRESTOP SEALANT OR HILTI CP 606 FLEXIBLE FIRESTOP SEALANT.
7. MINIMUM 1/2" BEAD HILTI FS-ONE MAX OR FS-ONE INTUMESCENT FIRESTOP SEALANT OR HILTI CP 606 FLEXIBLE FIRESTOP SEALANT APPLIED AT POINT OF CONTACT.

NOTES : 1. MAXIMUM SIZE OF OPENING = 12" x 8".
 2. ANNULAR SPACE BETWEEN DRAIN PIPING AND PATCH = MINIMUM 0", MAXIMUM 1".
 3. AS AN ALTERNATE TO PLYWOOD, 5/8" THICK GYPSUM WALLBOARD MAY BE USED.



HILTI, Inc.
 Tulsa, Oklahoma USA (800) 879-8000

Sheet	1 of 1
Scale	1/8" = 1"
Date	Jan. 24, 2015

Drawing No.
FC 1135c