

UL/cUL SYSTEM NO. F-C-5004

# INSULATED METAL PIPE THROUGH WOOD FLOOR/CEILING ASSEMBLY

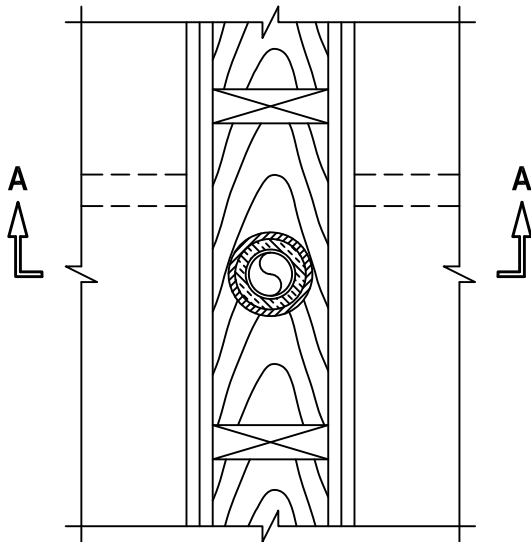
F-RATING = 1-HR. OR 2-HR.

T-RATING = 1-HR. OR 1-3/4-HR.

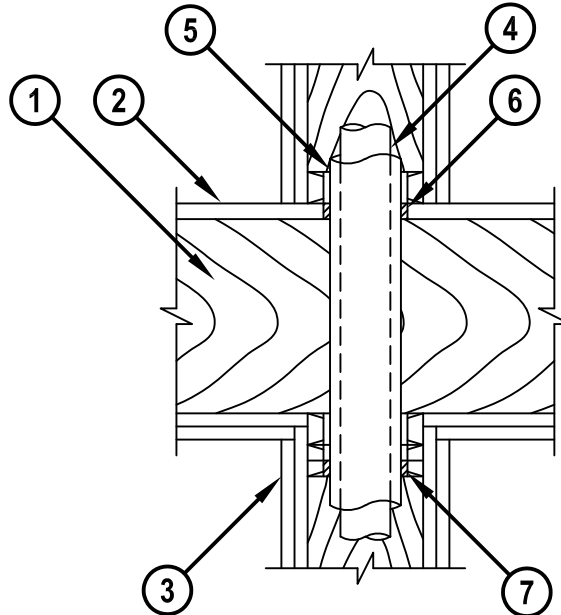
L-RATING AT AMBIENT = 4 CFM / SQ FT

L-RATING AT 400° F = LESS THAN 1 CFM / SQ FT

**TOP VIEW**



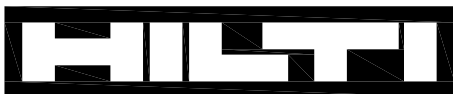
**SECTION A-A**



FC5004q.101216

1. WOOD FLOOR/CEILING ASSEMBLY (UL CLASSIFIED L500 SERIES) (1-HR. OR 2-HR. FIRE-RATING) (2-HR. SHOWN).
2. LUMBER OR PLYWOOD SUBFLOOR WITH FINISH FLOOR OF LUMBER, PLYWOOD, OR FLOOR TOPPING MIXTURE.
3. [OPTIONAL] GYPSUM WALL ASSEMBLY (UL/cUL CLASSIFIED U300 SERIES) (1-HR. OR 2-HR. FIRE-RATING) (2-HR. SHOWN) CONSISTING OF NOMINAL 2" x 6" OR PARALLEL 2" x 4" LUMBER PLATES TIGHTLY BUTTED AND STUDS.
4. PENETRATING ITEM TO BE ONE OF THE FOLLOWING :
  - A. MAXIMUM 2" NOMINAL DIAMETER STEEL PIPE (SCHEDULE 10 OR HEAVIER).
  - B. MAXIMUM 2" NOMINAL DIAMETER COPPER PIPE.
5. PIPE INSULATION TO BE ONE OF THE FOLLOWING :
  - A. NOMINAL 1/2" THICK GLASS-FIBER PIPE INSULATION.
  - B. NOMINAL 3/4" THICK AB/PVC FLEXIBLE FOAM PIPE INSULATION.
6. MINIMUM 3/4" DEPTH HILTI FS-ONE MAX INTUMESCENT FIRESTOP SEALANT FLUSH WITH TOP SURFACE OF FLOOR OR SOLE PLATE OF CHASE WALL.
7. MINIMUM 5/8" DEPTH HILTI FS-ONE MAX INTUMESCENT FIRESTOP SEALANT FLUSH WITH BOTTOM SURFACE OF CEILING OR LOWER TOP PLATE.

**NOTES :** 1. MAXIMUM DIAMETER OF OPENING = 3-1/2".  
2. ANNULAR SPACE = 1/8" WHEN GLASS-FIBER PIPE INSULATION IS USED,  
MINIMUM 1/8", MAXIMUM 3/8" WHEN AB/PVC PIPE INSULATION IS USED.



**Hilti Firestop Systems**

HILTI, Inc.  
Plano, Texas USA (800) 879-8000

Sheet	1 of 1
Scale	7/64" = 1"
Date	Oct. 12, 2016

Drawing No.

**FC  
5004q**

*Saving Lives through Innovation and Education*