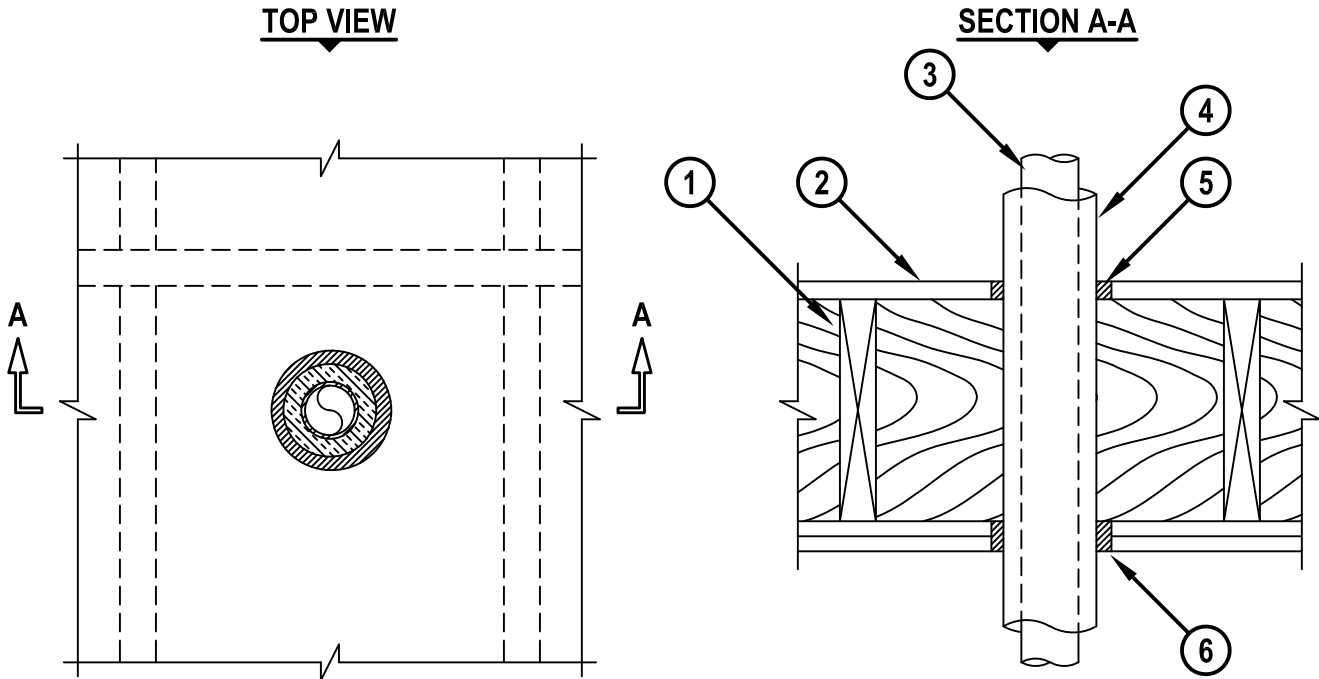


INSULATED METAL PIPE THROUGH WOOD FLOOR/CEILING ASSEMBLY

F-RATING = 1-HR. OR 2-HR.
T-RATING = 1/4-HR. OR 1 3/4-HR.

FC5037g.012319



1. WOOD FLOOR/CEILING ASSEMBLY (UL/cUL CLASSIFIED L500 SERIES) (1-HR. OR 2-HR. FIRE-RATING) (2-HR. SHOWN).
2. LUMBER OR PLYWOOD SUBFLOOR WITH FINISH FLOOR OF LUMBER, PLYWOOD, OR FLOOR TOPPING MIXTURE.
3. PENETRATING ITEM TO BE ONE OF THE FOLLOWING :
 - A. MAXIMUM 2" NOMINAL DIAMETER STEEL PIPE (SCHEDULE 10 OR HEAVIER).
 - B. MAXIMUM 2" NOMINAL DIAMETER COPPER PIPE.
4. NOMINAL 3/4" THICK AB/PVC FLEXIBLE FOAM INSULATION.
5. MINIMUM 3/4" DEPTH HILTI FS-ONE MAX INTUMESCENT FIRESTOP SEALANT FLUSH WITH TOP SURFACE OF FLOOR OR SOLE PLATE.
6. HILTI FS-ONE MAX INTUMESCENT FIRESTOP SEALANT FLUSH WITH BOTTOM SURFACE OF CEILING OR LOWER TOP PLATE :
 - A. MINIMUM 5/8" DEPTH REQUIRED FOR 1-HR. FIRE-RATING.
 - B. MINIMUM 1-1/4" DEPTH REQUIRED FOR 2-HR. FIRE-RATING.

NOTES : 1. MAXIMUM DIAMETER OF OPENING = 5-1/8".
 2. ANNULAR SPACE = MINIMUM 3/8", MAXIMUM 1".
 3. [NOT SHOWN, OPTIONAL] CHASE WALL - THE THROUGH PENETRANT MAY BE ROUTED THROUGH A 1-HR. OR 2-HR. FIRE-RATED GYPSUM CHASE WALL.



HILTI, Inc.
Plano, Texas USA (800) 879-8000

Sheet	1 of 1
Scale	1/8" = 1"
Date	Jan. 23, 2019

Drawing No.
FC 5037g