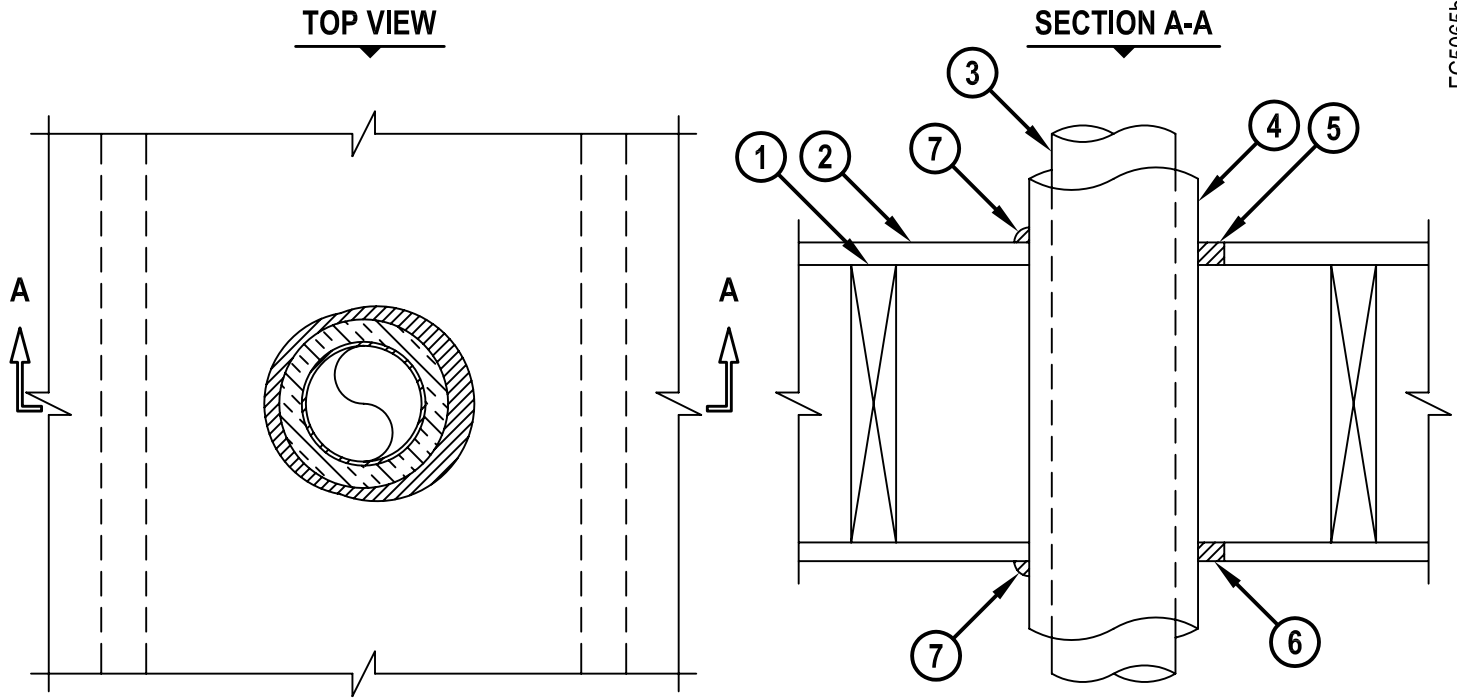


INSULATED METAL PIPE THROUGH WOOD FLOOR ASSEMBLY

F-RATING = 1-HR.
T-RATING = 3/4-HR.

FC5065b.071204



1. WOOD FLOOR/CEILING ASSEMBLY (UL/cUL CLASSIFIED L500 SERIES) (1-HR. FIRE-RATING).
2. LUMBER OR PLYWOOD SUBFLOOR WITH FINISH FLOOR OF LUMBER, PLYWOOD, OR FLOOR TOPPING MIXTURE.
3. PENETRATING ITEM TO BE ONE OF THE FOLLOWING :
 - A. MAXIMUM 4" NOMINAL DIAMETER STEEL PIPE (SCHEDULE 10 OR HEAVIER).
 - B. MAXIMUM 4" NOMINAL DIAMETER CAST IRON OR DUCTILE IRON PIPE.
 - C. MAXIMUM 4" NOMINAL DIAMETER COPPER PIPE OR COPPER TUBING.
4. NOMINAL 3/4" THICK AB/PVC FLEXIBLE FOAM INSULATION.
5. MINIMUM 3/4" DEPTH HILTI CP 606 FLEXIBLE FIRESTOP SEALANT.
6. MINIMUM 5/8" DEPTH HILTI CP 606 FLEXIBLE FIRESTOP SEALANT.
7. MINIMUM 1/2" BEAD HILTI CP 606 FLEXIBLE FIRESTOP SEALANT AT POINT OF CONTACT.

NOTES : 1. MAXIMUM DIAMETER OF OPENING = 6-1/2".
 2. ANNULAR SPACE = MINIMUM 0", MAXIMUM 7/8".
 3. CHASE WALL (NOT SHOWN, OPTIONAL) - THE THROUGH PENETRANT MAY BE ROUTED THROUGH A 1-HR. FIRE-RATED GYPSUM CHASE WALL.

	HILTI, Inc. Tulsa, Oklahoma USA (918) 252-6000	Sheet 1 of 1	Drawing No. FC 5065b
		Scale 5/32" = 1"	
		Date July 12, 2004	
Saving Lives through Innovation and Education			