

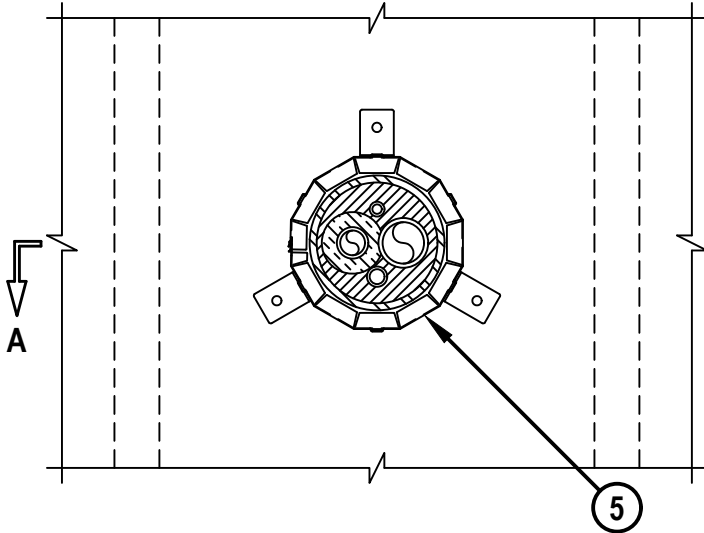
**HVAC LINE SET THROUGH WOOD FLOOR/CEILING ASSEMBLY**

F-RATING = 1-HR.

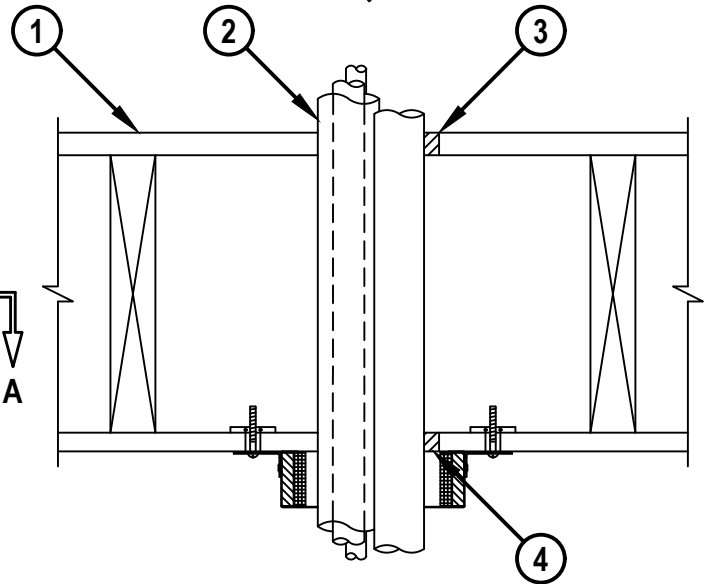
T-RATING = 1-HR.

NOTE : TESTED WITH A 2.5 Pa PRESSURE DIFFERENTIAL

**BOTTOM VIEW**



**SECTION A-A**



FC8009i.032823

1. WOOD FLOOR/CEILING ASSEMBLY (UL/cUL CLASSIFIED L500 SERIES) (1-HR. FIRE-RATING).
2. THE FOLLOWING CABLE, PIPE, AND TUBING TO BE BUNDLED TIGHTLY THROUGH FLOOR :
  - A. TYPE PJT THERMOSTAT CABLE (5/C NO. 18 AWG) WITH PVC JACKET.
  - B. MAXIMUM 1-1/2" NOMINAL DIAMETER PVC PLASTIC PIPE (SCHEDULE 40) (SOLID CORE) (CLOSED OR VENTED PIPING SYSTEM).
  - C. MAXIMUM 3/4" NOMINAL DIAMETER COPPER TUBE WITH NOMINAL 1/2" AB/PVC FLEXIBLE FOAM INSULATION.
  - D. MAXIMUM 1/2" NOMINAL DIAMETER COPPER TUBE.
3. MINIMUM 3/4" DEPTH HILTI FS-ONE MAX INTUMESCENT FIRESTOP SEALANT FLUSH TOP SURFACE OF FLOOR OR SOLE PLATE.
4. MINIMUM 5/8" DEPTH HILTI FS-ONE MAX INTUMESCENT FIRESTOP SEALANT FLUSH WITH BOTTOM SURFACE OF CEILING OR LOWER TOP PLATE.
5. HILTI CP 643 90/3" N (OR SMALLER) FIRESTOP COLLAR WITH FASTENING HOOKS.
6. EACH FASTENING HOOK SECURED TO CEILING WITH MINIMUM 3/16" DIAMETER STEEL TOGGLER BOLTS OR TO THE BOTTOM SURFACE OF LOWER TOP PLATE WITH MINIMUM 1-1/2" LONG STEEL WOOD SCREWS.

NOTES : 1. [NOT SHOWN, OPTIONAL] CHASE WALL - THE THROUGH PENETRANT MAY BE ROUTED THROUGH A 1-HR. FIRE-RATED GYPSUM CHASE WALL.  
 2. MAXIMUM DIAMETER OF OPENING = 3".  
 3. ANNULAR SPACE = MINIMUM 0", MAXIMUM 1/2".



HILTI, Inc.  
 Plano, Texas USA (800) 879-8000

Sheet	1 of 1
Scale	5/32" = 1"
Date	Mar. 28, 2023

Drawing No.  
**FC 8009i**