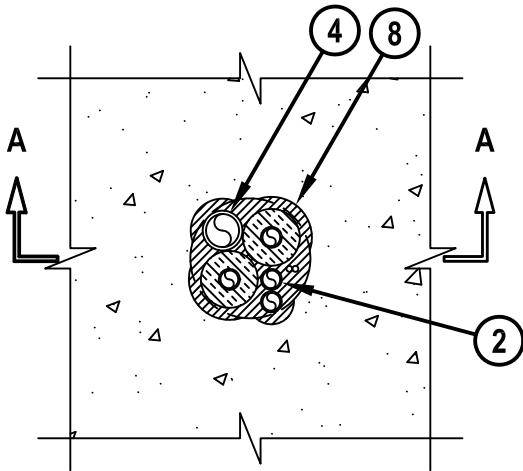


HVAC LINE SETS THROUGH CONCRETE FLOOR/CEILING ASSEMBLY

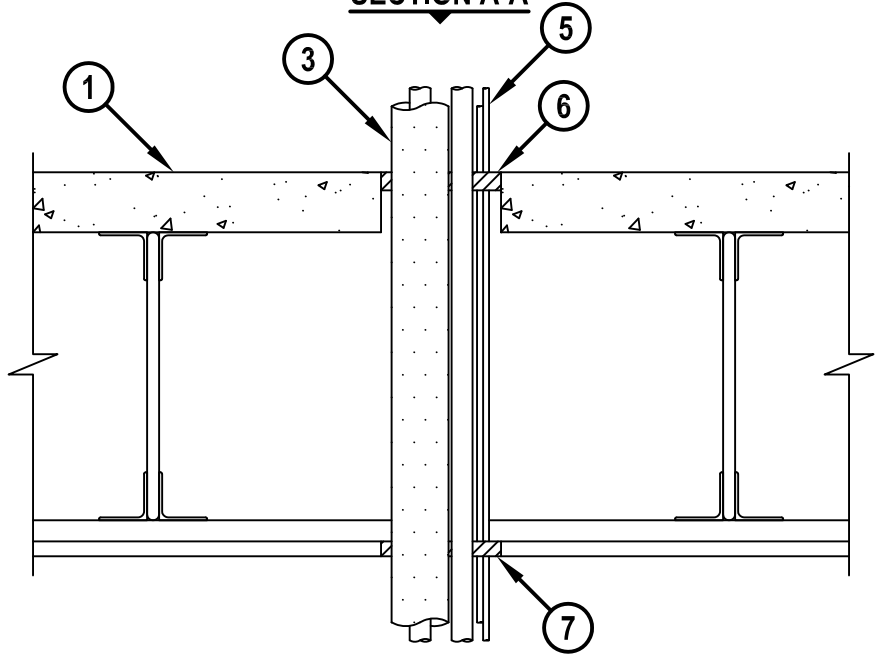
F-RATING = 1-HR.
T-RATING = 1-HR.

FE8008b.010815

TOP VIEW



SECTION A-A



1. CONCRETE AND STEEL JOIST FLOOR/CEILING ASSEMBLY (UL/cUL CLASSIFIED G500 SERIES) (1-HR. FIRE-RATING).
2. PENETRATING METALLIC ITEMS TO BE ANY OF THE FOLLOWING (ONE OR MORE) :
 - A. MAXIMUM 3/4" NOMINAL DIAMETER STEEL PIPE (SCHEDULE 10 OR HEAVIER).
 - B. MAXIMUM 3/4" NOMINAL DIAMETER COPPER PIPE.
3. NOMINAL 3/4" THICK AB/PVC PIPE INSULATION INSTALLED ON ONE OR MORE METALLIC PIPES.
4. PENETRATING NONMETALLIC ITEMS TO BE ONE OF THE FOLLOWING (SEE NOTE NO. 3 BELOW) :
 - A. MAXIMUM 1-1/4" NOMINAL DIAMETER PVC PLASTIC PIPE (CELLULAR OR SOLID CORE).
 - B. MAXIMUM 1-1/4" NOMINAL DIAMETER CPVC PLASTIC PIPE (CLOSED PIPING SYSTEM ONLY).
5. MAXIMUM 4-PAIR NO. 18 AWG THERMOSTAT CABLE WITH PVC JACKET (MAX. QTY. = 2).
6. MINIMUM 3/4" DEPTH HILTI FS-ONE MAX OR FS-ONE INTUMESCENT FIRESTOP SEALANT.
7. MINIMUM 5/8" DEPTH HILTI FS-ONE MAX OR FS-ONE INTUMESCENT FIRESTOP SEALANT.
8. MINIMUM 1/4" BEAD HILTI FS-ONE MAX OR FS-ONE INTUMESCENT FIRESTOP SEALANT APPLIED AT POINT OF CONTACT.

NOTES : 1. MAXIMUM DIAMETER OF OPENING = 5".
 2. ANNULAR SPACE = MINIMUM 0", MAXIMUM 1".
 3. NONMETALLIC PIPE SHALL BE SPACED MINIMUM 1-1/2" FROM NON-INSULATED THROUGH PENETRANTS.
 4. CLOSED OR VENTED PIPING SYSTEM (PVC = SCHEDULE 40; CPVC = SDR 13.5).



HILTI, Inc.
Tulsa, Oklahoma USA (800) 879-8000

Sheet	1 of 1
Scale	1/8" = 1"
Date	Jan. 08, 2015

Drawing No.
FE 8008b