

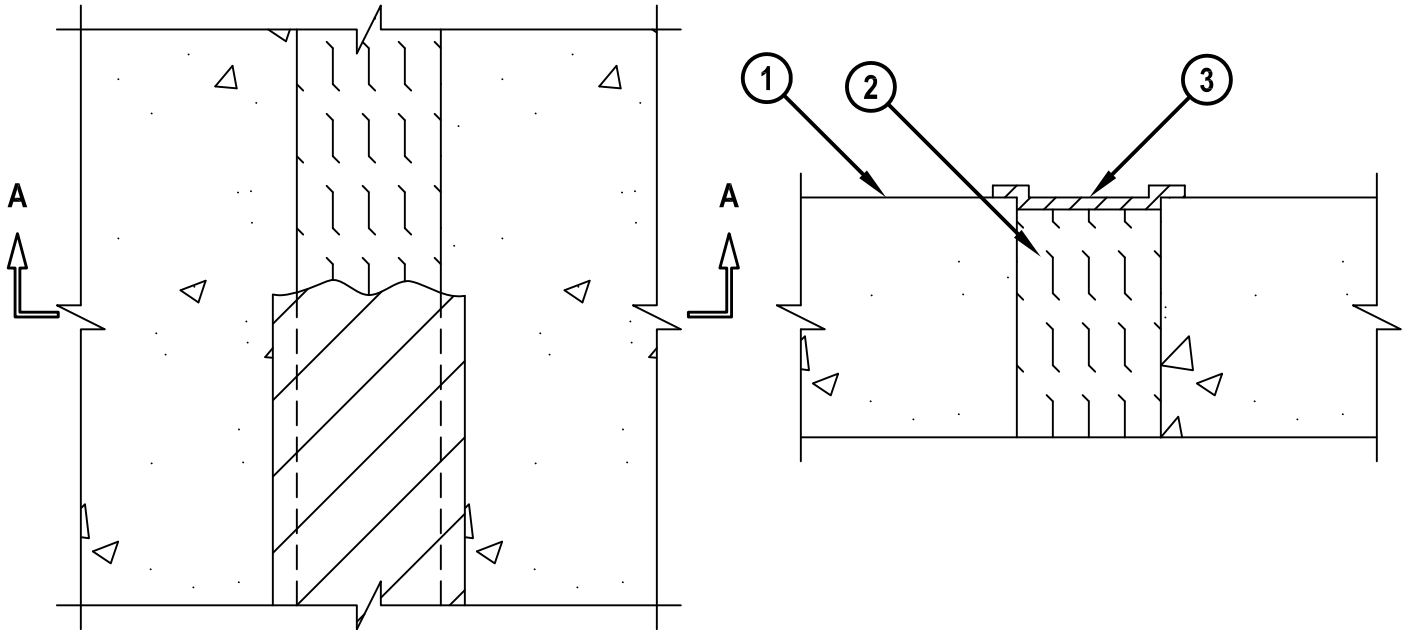
**FIRE-RATED JOINT THROUGH CONCRETE FLOOR ASSEMBLY**

ASSEMBLY RATING = 3-HR.

CLASS II MOVEMENT CAPABILITIES - 25% COMPRESSION OR EXTENSION

**TOP VIEW**

**SECTION A-A**



FFD1026c.062910

1. CONCRETE FLOOR ASSEMBLY (MINIMUM 5" THICK) (3-HR. FIRE-RATING).
2. MINIMUM 4-3/4" THICKNESS MINERAL WOOL (MIN. 4 PCF DENSITY) COMPRESSED MINIMUM 50%.
3. MINIMUM 1/4" (WET) THICKNESS HILTI CFS-SP WB FIRESTOP JOINT SPRAY OR HILTI CP 672 SPEED SPRAY APPLIED WITHIN THE JOINT, FLUSH WITH TOP SURFACE OF FLOOR AND LAPPING MINIMUM 3/4" ONTO THE TOP SURFACE OF THE FLOOR ON BOTH SIDES OF JOINT.

**NOTE : MAXIMUM WIDTH OF JOINT = 3".**



**Hilti Firestop Systems**

HILTI, Inc.  
Tulsa, Oklahoma USA (800) 879-8000

Sheet	1 of 1
Scale	1/4" = 1"
Date	June 29, 2010

Drawing No.

**FFD  
1026c**

*Saving Lives through Innovation and Education*