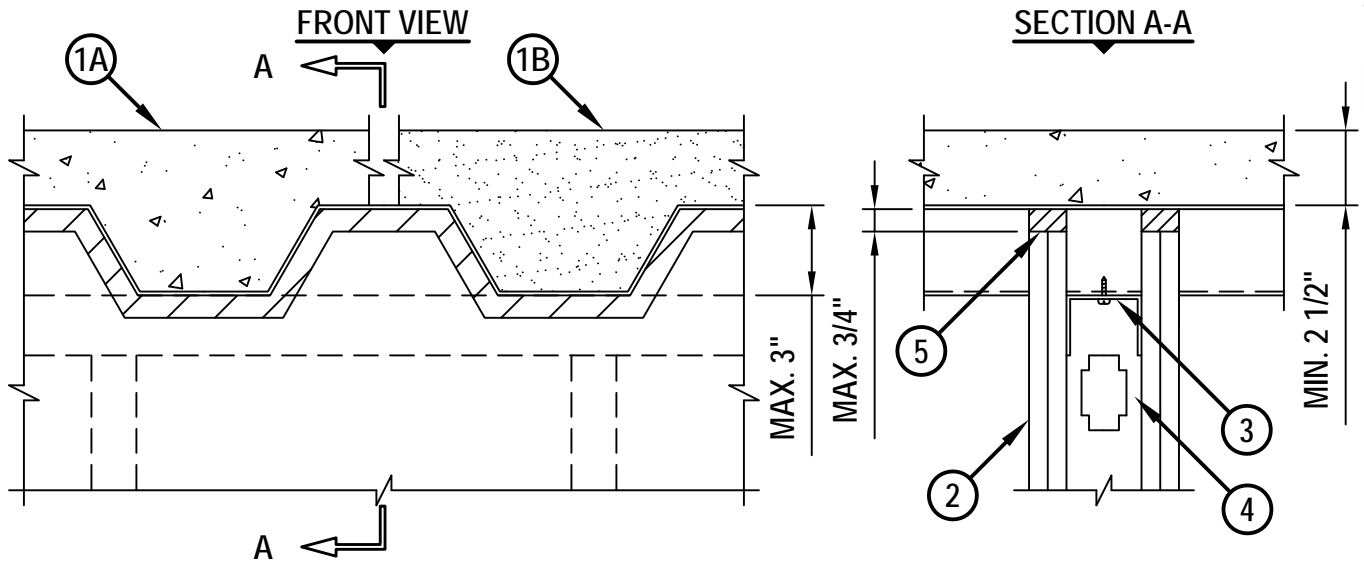


**TOP OF WALL JOINT : GYPSUM WALL ASSEMBLY**

ASSEMBLY RATING = 1-HR. OR 2-HR.

CLASS II MOVEMENT CAPABILITIES - 17% COMPRESSION OR EXTENSION

HWD0076h.111313



1. FLOOR OR ROOF ASSEMBLY (1-HR. OR 2-HR. FIRE-RATING) :
  - A. LIGHTWEIGHT OR NORMAL WEIGHT CONCRETE FLOOR (MIN. 2-1/2" THICK) OVER METAL DECKING (UL/cUL CLASSIFIED D700 OR D900 SERIES).
  - B. INSULATING CONCRETE (MIN. 2-1/4" THICK) OVER METAL DECKING (UL/cUL CLASSIFIED P900 SERIES).
  - C. [NOT SHOWN] FLUTED STEEL ROOF DECK WITH SPRAY-APPLIED FIREPROOFING (UL/cUL CLASSIFIED P700 SERIES).
2. GYPSUM WALL ASSEMBLY (UL/cUL CLASSIFIED U400 OR V400 SERIES) (1-HR. OR 2-HR. FIRE-RATING) (2-HR. SHOWN).
3. CEILING RUNNER (MIN. 25 GA., FLANGE HEIGHT OF CEILING RUNNER SHALL BE MINIMUM 1/4" GREATER THAN MAXIMUM EXTENDED JOINT WIDTH) FASTENED TO UNDERSIDE OF THE DECK WITH STEEL MASONRY ANCHORS, STEEL FASTENERS, OR WELDS (SPACED MAX. 24" O.C.) (SEE NOTE NO. 2 BELOW).
4. STEEL STUDS (MIN. 2-1/2" WIDE), CUT 1/2" TO 3/4" LESS IN LENGTH THAN ASSEMBLY HEIGHT, NESTING IN CEILING RUNNER WITHOUT ATTACHMENT.
5. HILTI CP 601S ELASTOMERIC FIRESTOP SEALANT OR HILTI CFS-S SIL GG FIRESTOP SILICONE SEALANT :
  - A. MINIMUM 5/8" DEPTH WITH AN ADDITIONAL 1/4" CROWN ON BOTH SIDES OF WALL, FOR A 1-HR. FIRE-RATING.
  - B. MINIMUM 1-1/4" DEPTH ON BOTH SIDES OF WALL, FOR A 2-HR. FIRE-RATING.

NOTES : 1. STEEL FLOOR UNITS MAY BE SPRAYED WITH A MINIMUM 5/16" THICKNESS TO MAXIMUM 11/16" THICKNESS OF UL CLASSIFIED MONOKOTE TYPE MK-6/HY FIREPROOFING MANUFACTURED BY W.R. GRACE.

2. AS AN ALTERNATE TO CEILING RUNNER IN ITEM NO. 3, SLOTTED CEILING RUNNERS MAY BE USED. CONSULT THE UL FIRE RESISTANCE DIRECTORY FOR APPROVED MANUFACTURERS.



HILTI, Inc.  
Tulsa, Oklahoma USA (800) 879-8000

Sheet	1 of 1
Scale	5/32" = 1"
Date	Nov. 13, 2013

Drawing No.  
**HWD  
0076h**