

TOP OF WALL JOINT : CONCRETE WALL OR BLOCK WALL ASSEMBLY

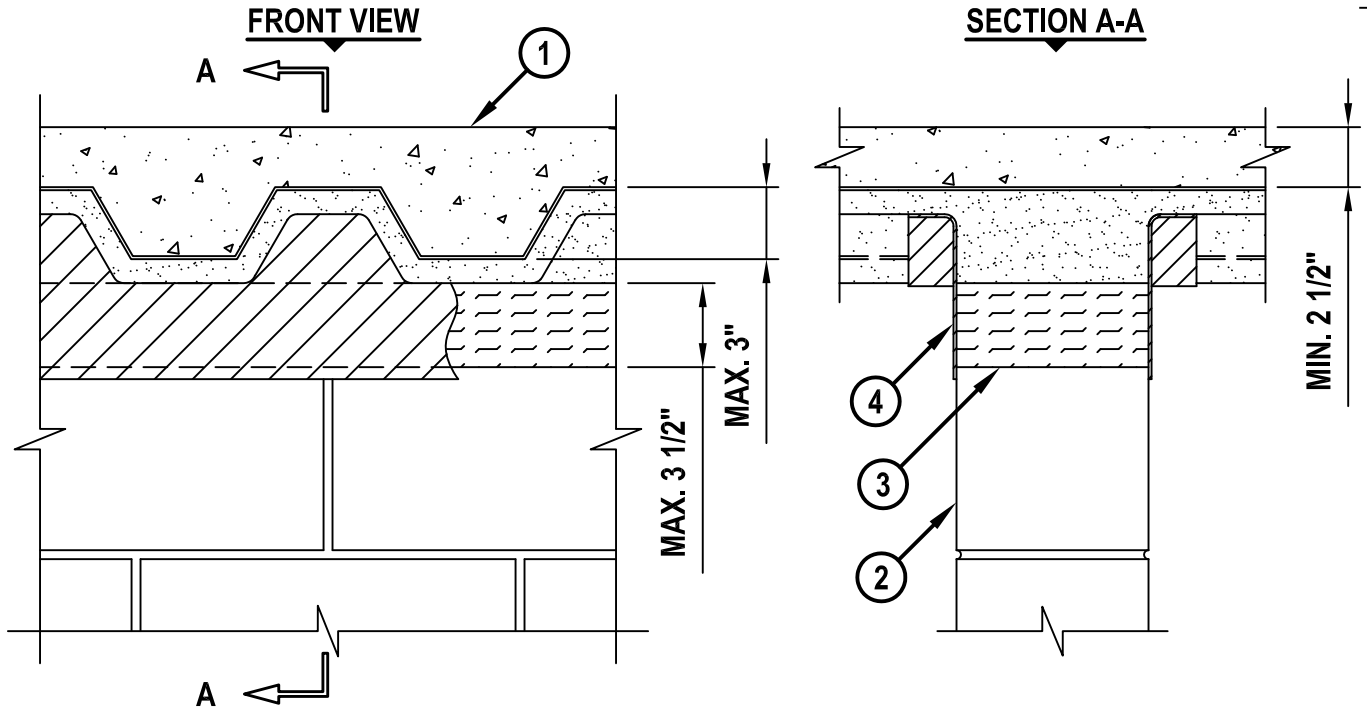
ASSEMBLY RATING = 2-HR.

CLASS II MOVEMENT CAPABILITIES - 14% COMPRESSION OR EXTENSION, OR
 CLASS II MOVEMENT CAPABILITIES 14% COMPRESSION OR 7% EXTENSION (SEE NOTE NO. 2 BELOW)

L-RATING AT AMBIENT = LESS THAN 1 CFM/LIN FT

L-RATING AT 400°F = LESS THAN 1 CFM/LIN FT

HWD1041e.062910



1. LIGHTWEIGHT OR NORMAL WEIGHT CONCRETE FLOOR (MINIMUM 2-1/2" THICK) OVER METAL DECKING (2-HR. FIRE-RATING) (SEE NOTE NO. 1 BELOW).
2. CONCRETE WALL ASSEMBLY (2-HR. FIRE-RATING) :
 - A. LIGHTWEIGHT OR NORMAL WEIGHT CONCRETE WALL (MINIMUM 5" THICK).
 - B. ANY UL/cUL CLASSIFIED CONCRETE BLOCK WALL.
3. MINERAL WOOL (MIN. 4 PCF DENSITY) COMPRESSED 50% AND INSERTED INTO JOINT, FLUSH WITH WALL SURFACES.
4. MINIMUM 1/8" (WET) THICKNESS HILTI CFS-SP WB FIRESTOP JOINT SPRAY OR HILTI CP 672 SPEED SPRAY TO COMPLETELY COVER MINERAL WOOL AND TO OVERLAP MINIMUM 1/2" ONTO CONCRETE WALL OR BLOCK WALL, AND MINIMUM 2" ONTO FIREPROOFING, ON BOTH SIDES OF WALL ASSEMBLY.

NOTES : 1. STEEL FLOOR UNITS TO BE SPRAYED WITH 1-1/2" THICKNESS OF UL CLASSIFIED MONOKOTE TYPE MK-6/HY (MANUFACTURED BY W.R. GRACE) OR TYPE 300 (MANUFACTURED BY ISOLATEK, INT.) FIREPROOFING. FIREPROOFING TO COMPLETELY FILL FLUTES ABOVE WALL ASSEMBLY.
 2. MOVEMENT CAPABILITIES ARE 14% COMPRESSION AND 7% EXTENSION WHEN TYPE 300 FIREPROOFING IS USED.



HILTI, Inc.
 Tulsa, Oklahoma USA (800) 879-8000

Sheet	1 of 1
Scale	1/8" = 1"
Date	June 29, 2010

Drawing No.
**HWD
 1041e**