

UL/cUL SYSTEM NO. HW-D-1078

**TOP OF WALL JOINT : CONCRETE WALL OR BLOCK WALL ASSEMBLY**

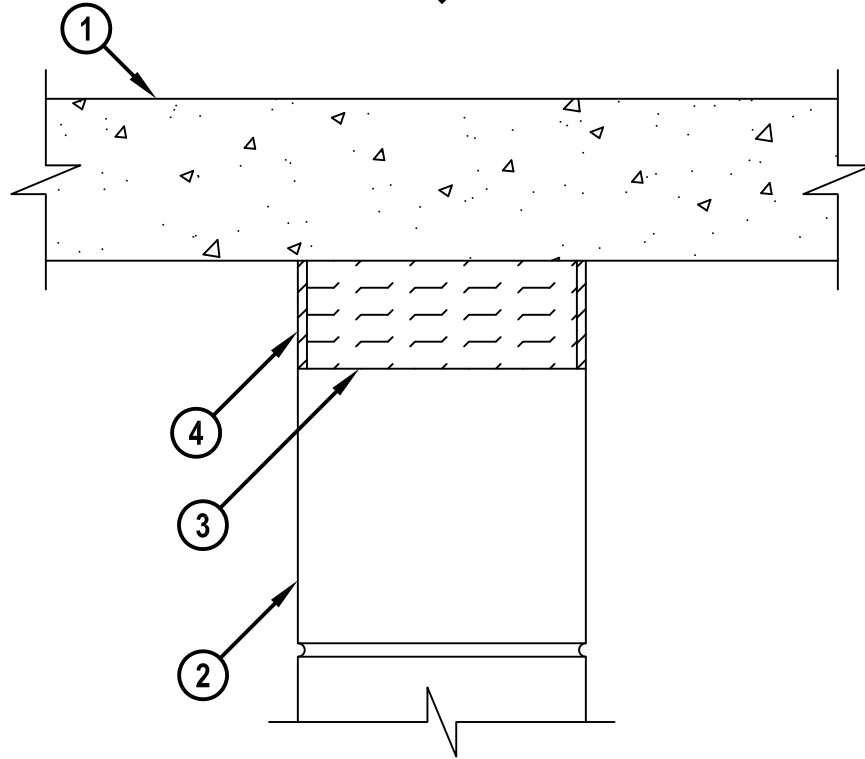
ASSEMBLY RATING = 2-HR.

CLASS II MOVEMENT CAPABILITIES - 17% COMPRESSION OR EXTENSION

L-RATING AT AMBIENT = LESS THAN 1 CFM/LIN. FT.

L-RATING AT 400°F = LESS THAN 1 CFM/LIN. FT.

**CROSS-SECTIONAL VIEW**



HWD1078a.092409

1. LIGHTWEIGHT OR NORMAL WEIGHT CONCRETE FLOOR (MINIMUM 4-1/2" THICK) (2-HR. FIRE-RATING).
2. CONCRETE WALL ASSEMBLY (2-HR. FIRE-RATING) :
  - A. LIGHTWEIGHT OR NORMAL WEIGHT CONCRETE WALL (MINIMUM 4-1/2" THICK).
  - B. ANY UL/cUL CLASSIFIED CONCRETE BLOCK WALL.
3. MINIMUM 4" THICKNESS MINERAL WOOL (MIN. 4 PCF DENSITY) COMPRESSED 40%.
4. MINIMUM 1/4" DEPTH HILTI CP 606 FLEXIBLE FIRESTOP SEALANT.

**NOTE : MAXIMUM WIDTH OF JOINT = 3".**

**HILTI**  
Hilti Firestop Systems

HILTI, Inc.  
Tulsa, Oklahoma USA (800) 879-8000

Sheet	1 of 1
Scale	3/16" = 1"
Date	Sep. 28, 2009

Drawing No.

**HWD  
1078a**

*Saving Lives through Innovation and Education*