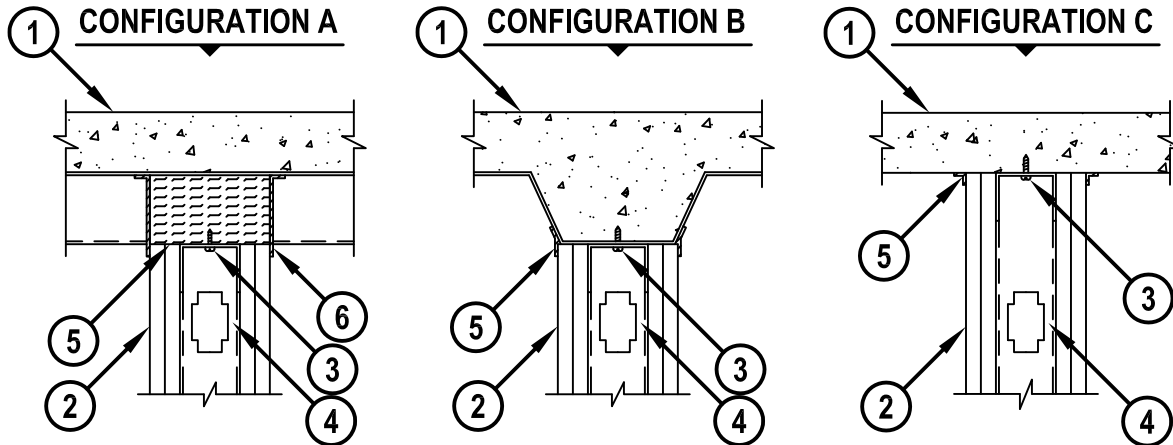


**TOP OF WALL JOINT : GYPSUM WALL ASSEMBLY**

ASSEMBLY RATING = 1-HR. OR 2-HR. (DEPENDING ON RATING OF WALL AND FLOOR ASSEMBLY)  
 L-RATING AT AMBIENT - LESS THAN 1 CFM/LINEAR FOOT  
 L-RATING AT 400° F - LESS THAN 1 CFM/LINEAR FOOT

HWS0053d.062910



1. FLOOR OR ROOF ASSEMBLY (1-HR. OR 2-HR. FIRE-RATING) :
  - A. LIGHTWEIGHT OR NORMAL WEIGHT CONCRETE FLOOR (MIN. 2-1/2" THICK) OVER METAL DECKING (UL/ULC CLASSIFIED D700 OR D900 SERIES).
  - B. INSULATING CONCRETE (MIN. 2-1/4" THICK) OVER METAL DECKING (UL/cUL CLASSIFIED P900 SERIES).
  - C. LIGHTWEIGHT OR NORMAL WEIGHT CONCRETE FLOOR (MINIMUM 4-1/2" THICK).
2. GYPSUM WALL ASSEMBLY (UL/cUL CLASSIFIED U400 SERIES) (1-HR. OR 2-HR. FIRE-RATING). GYPSUM BOARD TO BE BUTTED TIGHTLY TO BOTTOM OF STEEL DECK, ROOF DECK, OR CONCRETE FLOOR.
3. CEILING RUNNER (MIN. 25 GA., WITH 2" FLANGES) FASTENED TO UNDERSIDE OF DECK OR CONCRETE FLOOR.
4. STEEL STUDS (MIN. 2-1/2" WIDE), CUT 1/2" TO 3/4" LESS IN LENGTH THAN ASSEMBLY HEIGHT, NESTING IN CEILING RUNNER WITHOUT ATTACHMENT.

**FIRESTOP CONFIGURATION A**

5. HILTI CP 777 SPEED PLUGS FRICTION FITTED TO COMPLETELY FILL FLUTE FLUSH WITH BOTH SIDES OF WALL.
6. MINIMUM 1/8" (WET) THICKNESS HILTI CFS-SP WB FIRESTOP JOINT SPRAY OR HILTI CP 672 SPEED SPRAY TO COMPLETELY COVER MINERAL WOOL AND TO OVERLAP A MINIMUM 1/2" ONTO GYPSUM WALL AND METAL DECK ON BOTH SIDES.

**NOTE : AS AN ALTERNATE TO HILTI CP 777 SPEED PLUGS, MINERAL WOOL (MIN. 4 PCF DENSITY) COMPRESSED 50% MAY BE USED.**

**FIRESTOP CONFIGURATION B**

5. MINIMUM 1/8" (WET) THICKNESS HILTI CFS-SP WB FIRESTOP JOINT SPRAY OR HILTI CP 672 SPEED SPRAY TO OVERLAP A MINIMUM 1/2" ONTO GYPSUM WALL AND METAL DECK ON BOTH SIDES OF WALL ASSEMBLY.

**FIRESTOP CONFIGURATION C**

5. MINIMUM 1/8" (WET) THICKNESS HILTI CFS-SP WB FIRESTOP JOINT SPRAY OR HILTI CP 672 SPEED SPRAY TO OVERLAP A MINIMUM 1/2" ONTO GYPSUM WALL AND CONCRETE FLOOR ON BOTH SIDES OF WALL ASSEMBLY.



HILTI, Inc.  
 Tulsa, Oklahoma USA (800) 879-8000

Sheet	1 of 1
Scale	1/8" = 1"
Date	June 29, 2010

Drawing No.  
**HWS  
 0053d**