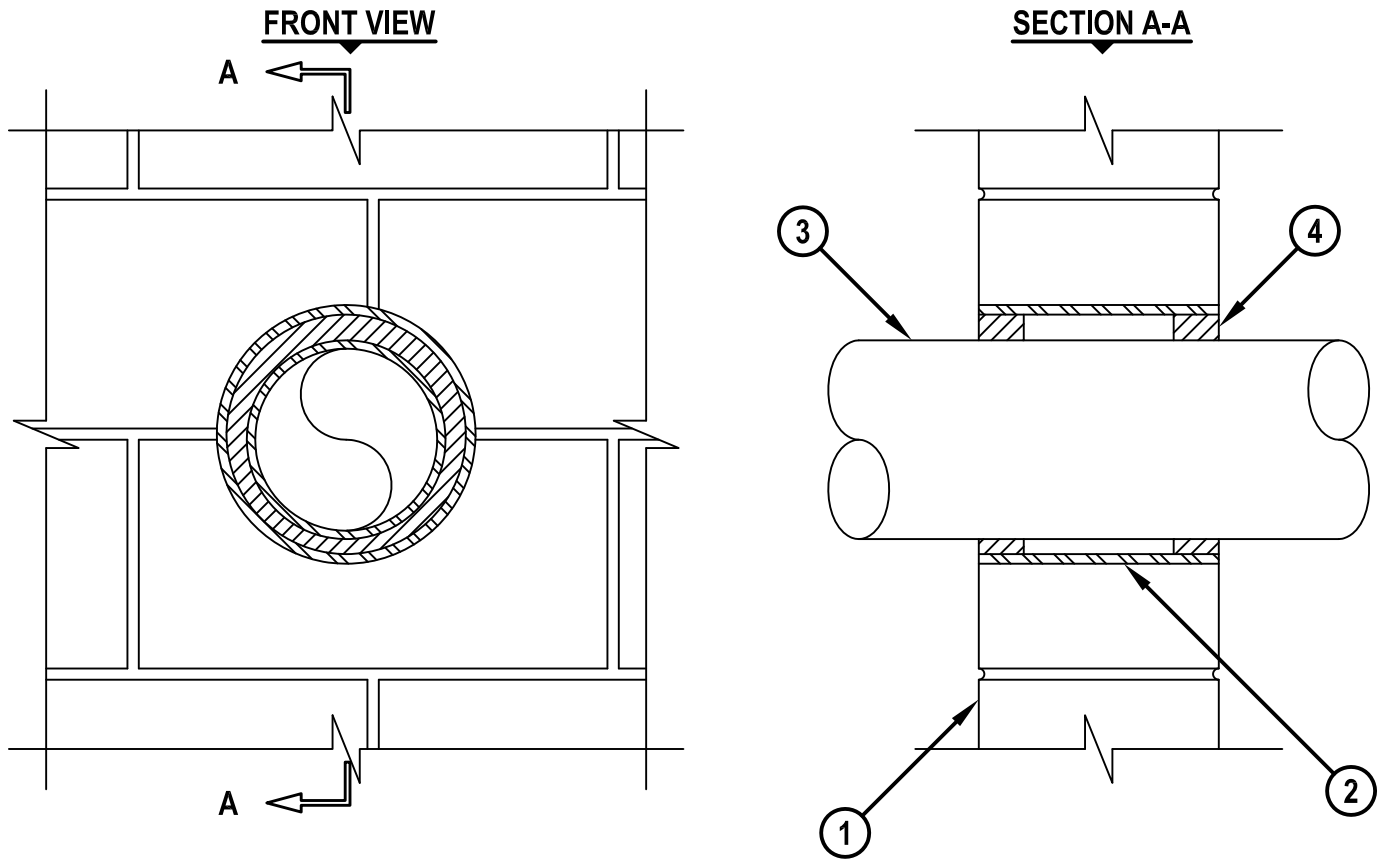


METAL PIPE THROUGH A SLEEVE CONCRETE WALL OR BLOCK WALL ASSEMBLY

F-RATING = 4-HR.

T-RATING = 0-HR.

WJ1068c.010815



1. CONCRETE WALL ASSEMBLY (4-HR. FIRE-RATING) :
 - A. LIGHTWEIGHT OR NORMAL WEIGHT CONCRETE WALL (MINIMUM 7-1/2" THICK).
 - B. ANY UL/cUL CLASSIFIED CONCRETE BLOCK WALL.
2. MAXIMUM 8" NOMINAL DIAMETER STEEL PIPE SLEEVE (SCHEDULE 40 OR HEAVIER).
3. PENETRATING ITEM TO BE ONE OF THE FOLLOWING :
 - A. MAXIMUM 6" NOMINAL DIAMETER STEEL PIPE (SCHEDULE 40 OR HEAVIER).
 - B. MAXIMUM 6" NOMINAL DIAMETER COPPER PIPE.
 - C. MAXIMUM 6" NOMINAL DIAMETER STEEL CONDUIT.
 - D. MAXIMUM 4" NOMINAL DIAMETER EMT.
4. MINIMUM 1-1/2" DEPTH HILTI FS-ONE MAX OR FS-ONE INTUMESCENT FIRESTOP SEALANT.

NOTES : 1. MAXIMUM DIAMETER OF OPENING = 8".
 2. ANNULAR SPACE = MINIMUM 1/2", MAXIMUM 1-1/4".



HILTI, Inc.
 Tulsa, Oklahoma USA (800) 879-8000

Sheet	1 of 1
Scale	5/32" = 1"
Date	Jan. 08, 2015

Drawing No.
WJ
1068c