

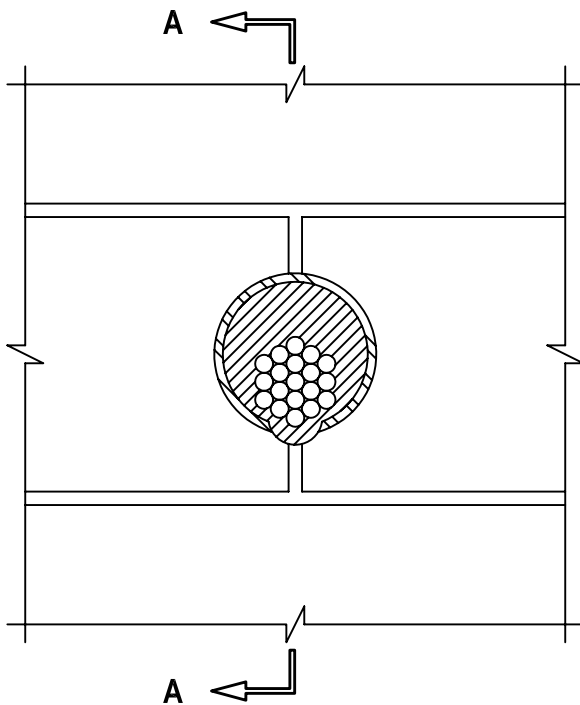
CABLE BUNDLE THROUGH CONCRETE OR BLOCK WALL ASSEMBLY

F-RATING = 2-HR.

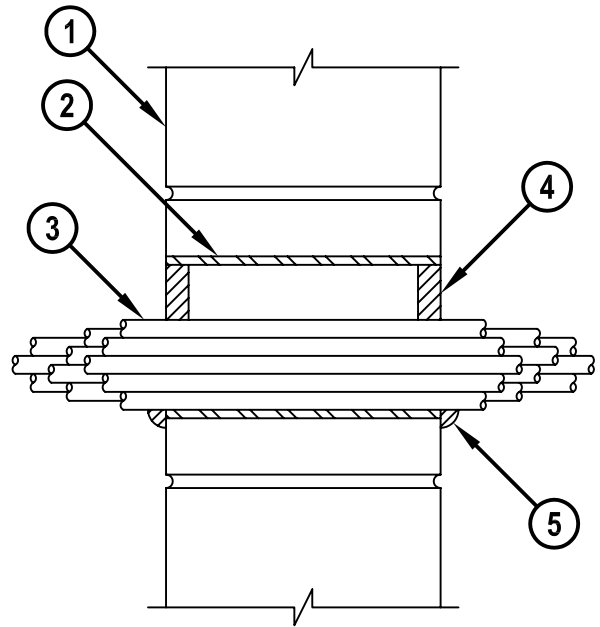
T-RATING = 0-HR.

WJ3092a.043003

FRONT VIEW



SECTION A-A



1. CONCRETE WALL ASSEMBLY (2-HR. FIRE-RATING) :
 - A. LIGHTWEIGHT OR NORMAL WEIGHT CONCRETE WALL (MINIMUM 5" THICK).
 - B. ANY UL/ULC CLASSIFIED CONCRETE BLOCK WALL.
2. MAXIMUM 4" NOMINAL DIAMETER PVC PLASTIC PIPE SLEEVE (SCHEDULE 40) CAST OR GROUTED INTO WALL, FLUSH WITH BOTH SURFACES.
3. CABLE BUNDLE TO CONSIST OF ANY COMBINATION OF THE FOLLOWING :
 - A. MAXIMUM 500 KCMIL POWER CABLE WITH PVC JACKET.
 - B. MAXIMUM 100 PAIR NO. 24 AWG TELEPHONE CABLE WITH PVC JACKET.
 - C. RGU/59 COAXIAL CABLE WITH PVC JACKET (MAXIMUM 1/2" DIAMETER).
 - D. MAXIMUM 3/C NO. 8 AWG STEEL-CLAD CABLE.
 - E. MAXIMUM 3/C (+GROUND) NO. 8 AWG ROMEX CABLE WITH PVC JACKET.
 - F. MULTIPLE FIBER-OPTIC CABLE WITH PVC JACKET (MAXIMUM 3/8" DIAMETER).
 - G. MAXIMUM 3/4" DIAMETER COPPER GROUND CABLE WITH PVC JACKET.
4. MINIMUM 5/8" DEPTH HILTI CP 618 FIRESTOP PUTTY STICK FLUSH WITH BOTH SIDES OF WALL.
5. MINIMUM 1/2" BEAD HILTI CP 618 FIRESTOP PUTTY STICK AT POINT OF CONTACT.

NOTES : 1. MAXIMUM DIAMETER OF OPENING = 4".
 2. ANNULAR SPACE = MINIMUM 0", MAXIMUM 1-3/8".
 3. CABLES TO FILL MAXIMUM 45% OF CROSS-SECTIONAL AREA OF OPENING.



HILTI, Inc.
 Tulsa, Oklahoma USA (918) 252-6000

Sheet	1 of 1
Scale	3/16" = 1"
Date	April 30, 2003

Drawing No.

**WJ
3092a**