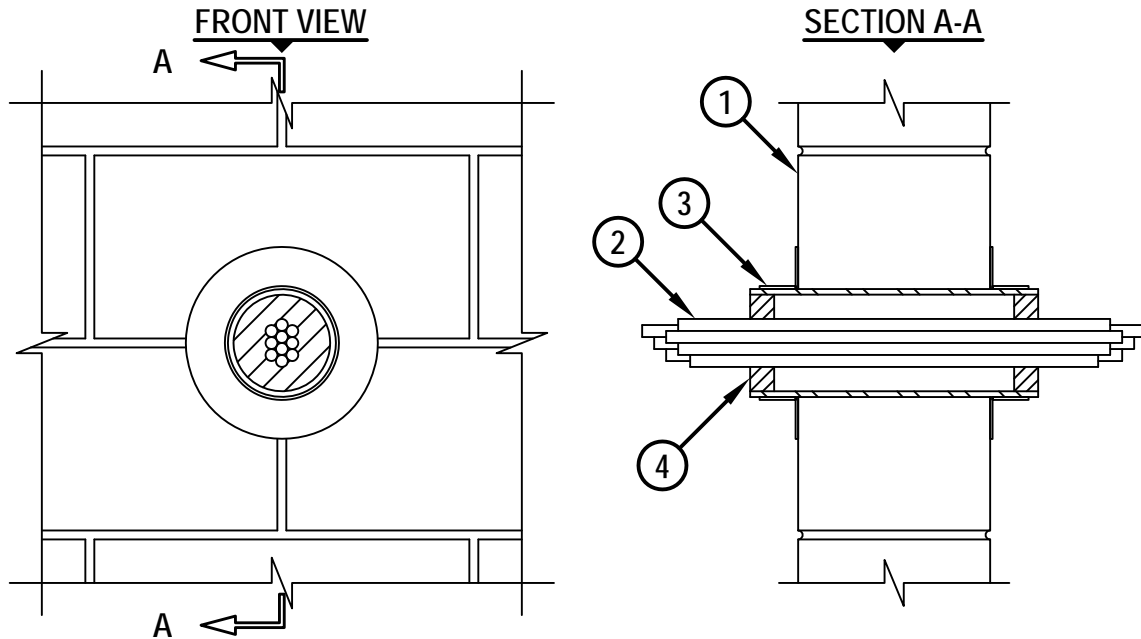


**CABLE BUNDLE THROUGH "UNIQUE FIRE STOP SLEEVE" IN CONCRETE WALL OR
BLOCK WALL**

F-RATING = 2-HR.
T-RATING = 0-HR.

WJ3111a.022912



1. CONCRETE WALL ASSEMBLY (2-HR. FIRE-RATING) :
 - A. LIGHTWEIGHT OR NORMAL WEIGHT CONCRETE WALL (MINIMUM 6" THICK).
 - B. ANY UL/cUL CLASSIFIED CONCRETE BLOCK WALL.
2. CABLE BUNDLE TO BE ANY COMBINATION OF THE FOLLOWING :
 - A. MAXIMUM 200 PAIR NO. 24 AWG (OR SMALLER) COPPER CONDUCTOR CABLE WITH PVC JACKET.
 - B. MAXIMUM 750 KCMIL POWER CABLE WITH PVC JACKET.
 - C. MAXIMUM 3/C NO. 2/0 AWG (OR SMALLER) ALUMINUM OR COPPER CONDUCTOR SERVICE ENTRANCE CABLE WITH PVC JACKET.
 - D. MAXIMUM 3/C NO. 8 AWG (OR SMALLER) NONMETALLIC SHEATHED (ROMEX) CABLE WITH COPPER CONDUCTORS AND PVC JACKET.
 - E. MAXIMUM 7/C NO. 12 AWG (OR SMALLER) POWER AND CONTROL CABLES WITH XLPE OR PVC JACKET.
 - F. MAXIMUM RG6/U (OR SMALLER) COAXIAL CABLE WITH FLUORINATED ETHYLENE JACKET.
 - G. MAXIMUM 62.5/48 FIBER-OPTIC CABLE WITH PVC JACKET.
 - H. MAXIMUM 4 PAIR NO. 24 AWG (OR SMALLER) CAT 5 CABLE WITH HYLAR JACKET.
3. THREADED SLEEVE (1", 2", AND 4" SIZES) MANUFACTURED BY UNIQUE FIRE STOP PRODUCTS, INC. AND INSTALLED PER ACCOMPANYING INSTALLATION INSTRUCTIONS.
4. MINIMUM 1" DEPTH HILTI CP 618 FIRESTOP PUTTY STICK.

NOTES : 1. MAXIMUM DIAMETER OF OPENING FOR 1", 2", AND 4" SLEEVES ARE 1-1/4", 2-7/16", AND 4-1/2" RESPECTIVELY.
2. CABLES TO FILL MINIMUM 8" TO MAXIMUM 48% OF CROSS-SECTIONAL AREA OF SLEEVE.



HILTI, Inc.
Tulsa, Oklahoma USA (800) 879-8000

Sheet	1 of 1
Scale	1/8" = 1"
Date	Feb. 29, 2012

Drawing No.
**WJ
3111a**