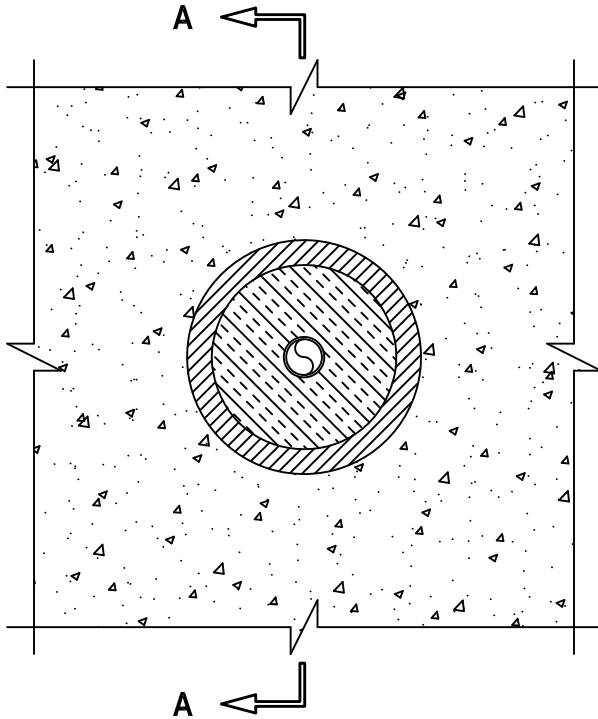


**INSULATED METAL PIPE THROUGH CONCRETE WALL OR CONCRETE
BLOCK SHAFT WALL ASSEMBLY**

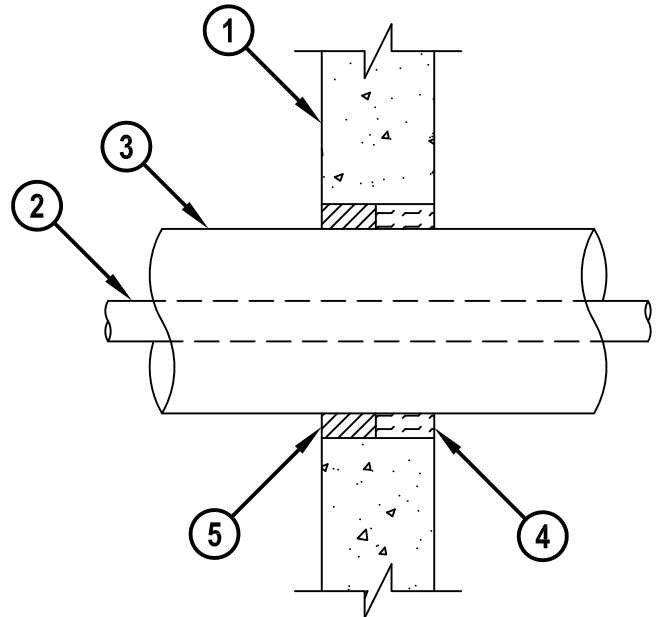
F-RATING = 1-HR.
T-RATING = 1-HR.

WJ5067c.010915

FRONT VIEW



SECTION A-A



1. CONCRETE WALL ASSEMBLY (1-HR. FIRE-RATING) :
 - A. LIGHTWEIGHT OR NORMAL WEIGHT CONCRETE WALL (MINIMUM 3-1/8" THICK).
 - B. ANY UL/cUL CLASSIFIED CONCRETE BLOCK WALL.
2. MAXIMUM 1" NOMINAL DIAMETER COPPER PIPE.
3. NOMINAL 2" THICKNESS GLASS-FIBER PIPE INSULATION.
4. MINIMUM 1-5/8" THICKNESS MINERAL WOOL (MIN. 4 PCF DENSITY) TIGHTLY PACKED AND RECESSED ON ONE SIDE OF WALL.
5. MINIMUM 1-1/2" DEPTH HILTI FS-ONE MAX OR FS-ONE INTUMESCENT FIRESTOP SEALANT.

NOTES : 1. MAXIMUM DIAMETER OF OPENING = 6-1/2".
 2. ANNULAR SPACE = MINIMUM 1/4", MAXIMUM 1-1/8".
 3. THIS FIRESTOP SYSTEM WAS DESIGNED AND TESTED FOR APPLICATIONS IN WHICH THERE IS LIMITED OR NO ACCESS AVAILABLE ON ONE SIDE OF WALL.



HILTI, Inc.
Tulsa, Oklahoma USA (800) 879-8000

Sheet	1 of 1
Scale	3/16" = 1"
Date	Jan. 09, 2015

Drawing No.
**WJ
5067c**