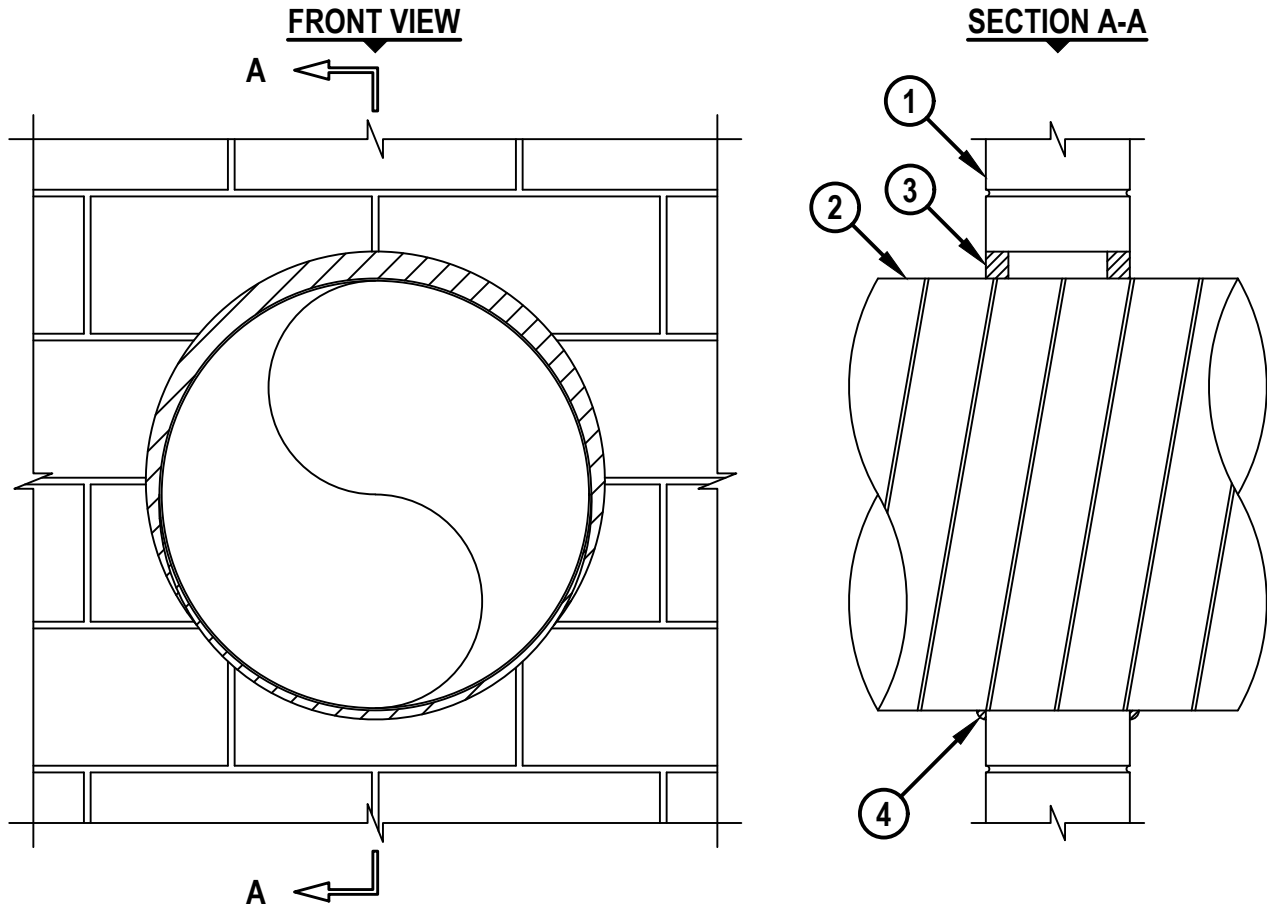


METAL DUCT THROUGH CONCRETE WALL OR BLOCK WALL ASSEMBLY

F-RATING = 1-HR. OR 2-HR.

T-RATING = 0-HR.

WJ7022h.032223



1. CONCRETE WALL ASSEMBLY (1-HR. OR 2-HR. FIRE-RATING) (2-HR. SHOWN) :
 - A. LIGHTWEIGHT OR NORMAL WEIGHT CONCRETE WALL (MINIMUM 4-3/4" THICK FOR 1-HR. AND MINIMUM 6" THICK FOR 2-HR.).
 - B. ANY UL/cUL CLASSIFIED CONCRETE BLOCK WALL.
2. PENETRATING ITEM TO BE ONE OF THE FOLLOWING :
 - A. MAXIMUM 24" NOMINAL SPIRAL SHEET METAL DUCT (MINIMUM 28 GAUGE).
 - B. MAXIMUM 12" NOMINAL DIAMETER SHEET METAL DUCT (MINIMUM 28 GAUGE).
3. MINIMUM 5/8" DEPTH (FOR 1-HR.) OR 1-1/4" DEPTH (FOR 2-HR.) HILTI CP 606 FLEXIBLE FIRESTOP SEALANT, HILTI CFS-S SIL GG FIRESTOP SILICONE SEALANT, OR HILTI CP 601S ELASTOMERIC FIRESTOP SEALANT. MINIMUM 5/8" DEPTH HILTI FS-ONE MAX INTUMESCENT FIRESTOP SEALANT FOR 1-HR. OR 2-HR.
4. MINIMUM 1/2" BEAD HILTI FS-ONE MAX INTUMESCENT FIRESTOP SEALANT, HILTI CP 606 FLEXIBLE FIRESTOP SEALANT, OR HILTI CFS-S SIL GG FIRESTOP SILICONE SEALANT APPLIED AT POINT OF CONTACT.

NOTES : 1. MAXIMUM DIAMETER OF OPENING = 25-1/2".
 2. ANNULAR SPACE = MINIMUM 0", MAXIMUM 1-1/2".



HILTI, Inc.
 Plano, Texas USA (800) 879-8000

Sheet	1 of 1
Scale	3/32" = 1"
Date	Mar. 22, 2023

Drawing No.
WJ
7022h