

BLANK OPENING THROUGH "UNIQUE FIRESTOP SLEEVE" IN GYPSUM WALL ASSEMBLY

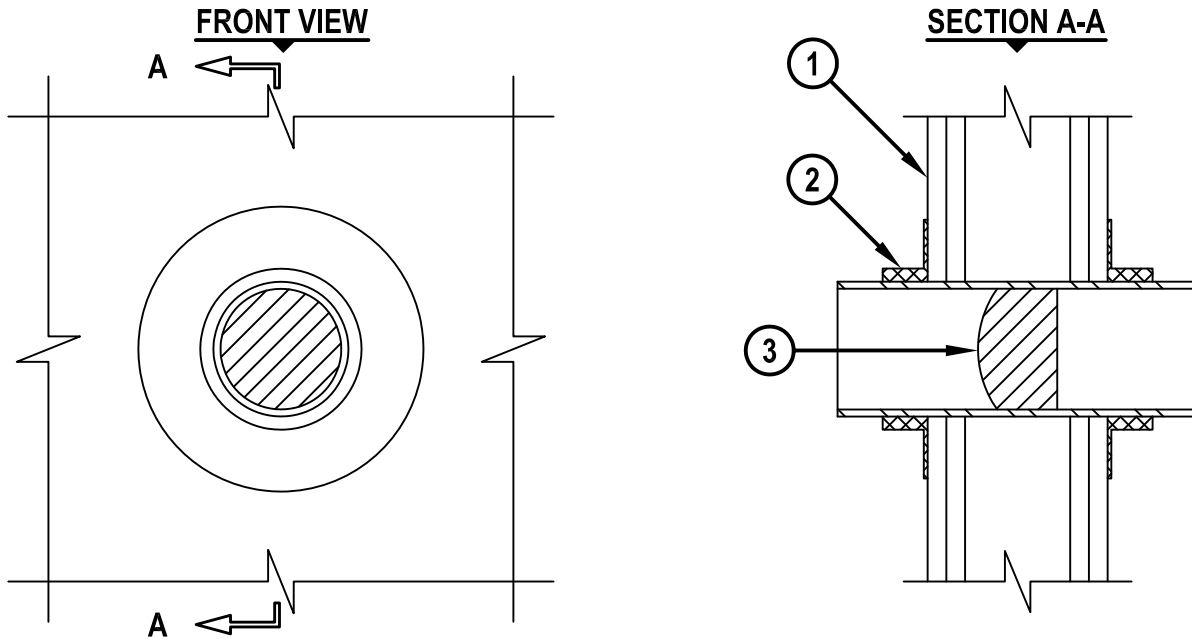
F-RATING = 1-HR. OR 2-HR.

T-RATING = 0-HR.

L-RATING AT AMBIENT = LESS THAN 1 CFM / SQ FT (SEE NOTES NO. 2 AND 3 BELOW)

L-RATING AT 400°F = LESS THAN 1 CFM / SQ FT (SEE NOTES NO. 2 AND 3 BELOW)

WL0023e.011015



1. GYPSUM WALL ASSEMBLY (UL/cUL CLASSIFIED U300, U400, V400, OR W400 SERIES) (1-HR. OR 2-HR. FIRE-RATING) (2-HR. SHOWN) TO INCLUDE THE FOLLOWING CONSTRUCTION FEATURES :
 - A. [NOT SHOWN] WOOD STUDS TO CONSIST OF NOMINAL 2" x 4" LUMBER (SPACED MAXIMUM 16" OC). STEEL STUDS TO BE MINIMUM 3-1/2" WIDE (SPACED MAXIMUM 24" OC).
 - B. NOMINAL 5/8" THICK GYPSUM WALLBOARD. TYPE, NUMBER OF LAYERS, AND SHEET ORIENTATION AS SPECIFIED IN THE INDIVIDUAL UL DESIGN.
2. UNIQUE FIRESTOP PRODUCTS, DIVISION OF "IT'S UNIQUE" INC. SMOOTH SLEEVE, THREADED SLEEVE, OR SPLIT SLEEVE (2" AND 4" SIZES).
3. ONE HILTI CFS-PL FIRESTOP PLUG OR HILTI CP 658T FIRESTOP PLUG INSTALLED TIGHTLY WITHIN SLEEVE AND CENTERED WITHIN WALL. WHEN SPLIT SLEEVE IS USED, INSTALL TWO HILTI CFS-PL FIRESTOP PLUGS OR HILTI CP 658T FIRESTOP PLUGS, FLUSH WITH BOTH ENDS OF SLEEVE.

NOTES :

1. MAXIMUM DIAMETER OF OPENING IN WALL FOR 2" AND 4" SIZES ARE 2-7/16" AND 4-1/2", RESPECTIVELY.
2. WHEN L-RATING IS DESIRED, APPLY 1/4" BEAD HILTI FS-ONE MAX OR FS-ONE INTUMESCENT FIRESTOP SEALANT, HILTI CP 601S ELASTOMERIC FIRESTOP SEALANT, HILTI CP 606 FLEXIBLE FIRESTOP SEALANT, HILTI CFS-S SIL GG FIRESTOP SILICONE SEALANT, OR HILTI CP 618 FIRESTOP PUTTY STICK AT SLEEVE/GYPSUM BOARD INTERFACE OR AT THE COUPLER/GYPSUM BOARD INTERFACE, AND AT THE COUPLER/SLEEVE INTERFACE ON BOTH SIDES OF WALL.
3. L-RATING APPLIES ONLY WHEN SMOOTH SLEEVE OR THREADED SLEEVE, AND FIRESTOP SEALANT/PUTTY IS USED.



HILTI, Inc.
Tulsa, Oklahoma USA (800) 879-8000

| | |
|-------|---------------|
| Sheet | 1 of 1 |
| Scale | 5/32" = 1" |
| Date | Jan. 10, 2015 |

Drawing No.
**WL
0023e**