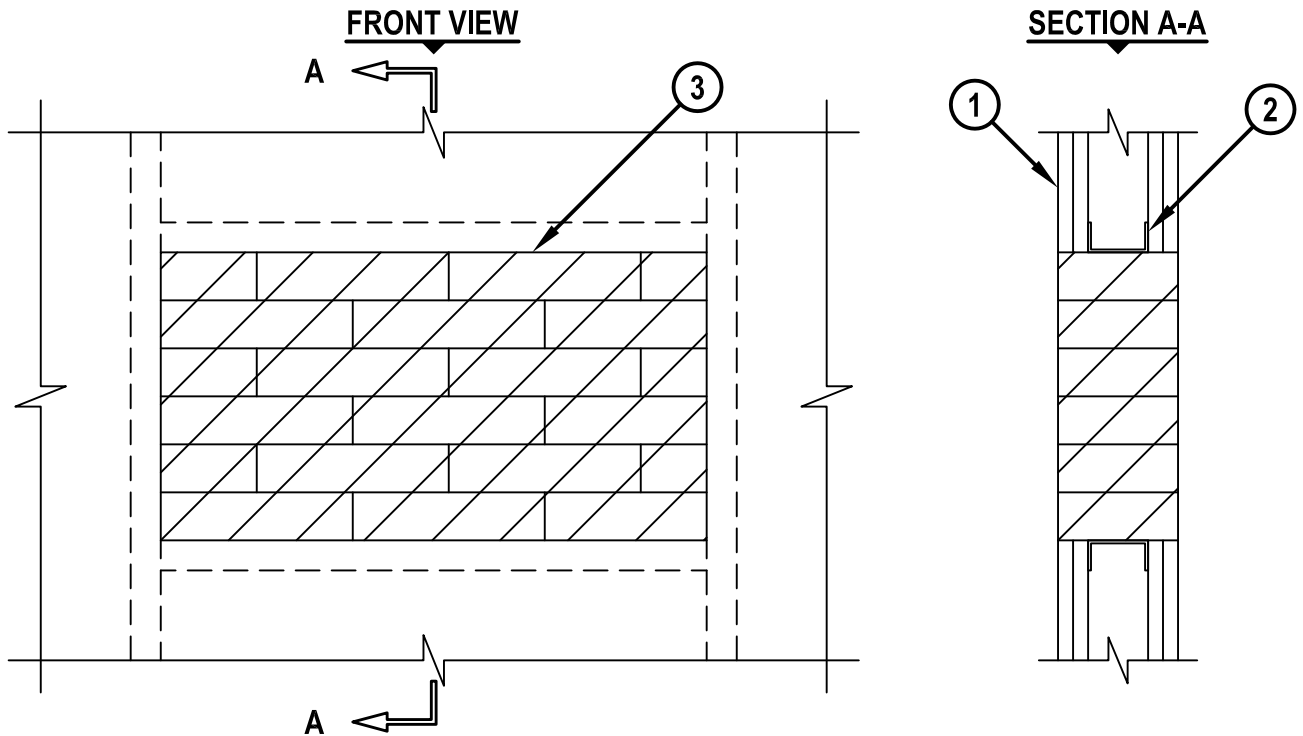


UL/cUL SYSTEM NO. W-L-0042

## BLANK OPENING THROUGH GYPSUM WALL ASSEMBLY

F-RATING = 1-HR. OR 2-HR.

T-RATING = 0-HR. OR 1 1/2-HR.



WL0042b.011015

1. GYPSUM WALL ASSEMBLY (UL/cUL CLASSIFIED U300, U400, V400, OR W400 SERIES) (1-HR. OR 2-HR. FIRE-RATING) (2-HR. SHOWN) TO INCLUDE THE FOLLOWING CONSTRUCTION FEATURES :
  - A. [NOT SHOWN] WOOD STUDS TO CONSIST OF NOMINAL 2" x 4" LUMBER (SPACED MAXIMUM 16" OC). STEEL STUDS TO BE MINIMUM 2-1/2" WIDE (SPACED MAXIMUM 24" OC).
  - B. NOMINAL 5/8" THICK GYPSUM WALLBOARD. TYPE, NUMBER OF LAYERS, AND SHEET ORIENTATION AS SPECIFIED IN THE INDIVIDUAL UL DESIGN.
2. OPENING TO BE FRAMED OUT WITH ADDITIONAL FRAMING MEMBERS.
3. HILTI CFS-BL FIRESTOP BLOCK (2" THICK x 8" WIDE x 5" DEEP, REFERENCE : FRONT VIEW) FIRMLY PACKED AND CENTERED WITHIN OPENING.

NOTES : 1. MAXIMUM AREA OF OPENING = 273 SQ. IN., WITH A MAXIMUM DIMENSION OF 22-3/4".  
2. [OPTIONAL] APPLY HILTI FS-ONE MAX OR FS-ONE INTUMESCENT FIRESTOP SEALANT OR HILTI CP 618 FIRESTOP PUTTY STICK IN ANY VOID THAT MAY EXIST BETWEEN FIRESTOP BLOCKS.



HILTI, Inc.  
Tulsa, Oklahoma USA (800) 879-8000

Sheet	1 of 1
Scale	1/8" = 1"
Date	Jan. 10, 2015

Drawing No.  
**WL**  
**0042b**

*Saving Lives through Innovation and Education*