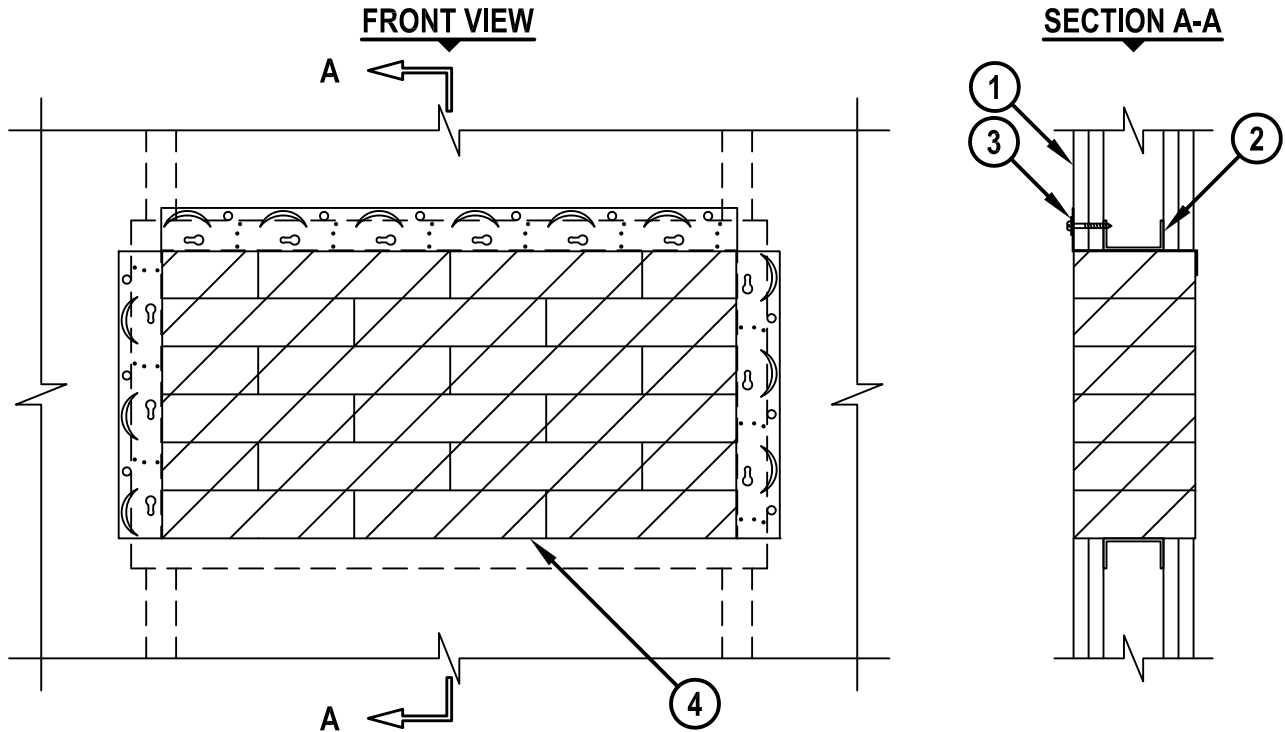


BLANK OPENING THROUGH GYPSUM WALL ASSEMBLY

F-RATING = 1-HR. OR 2-HR.

T-RATING = 0-HR. OR 1-HR.

WL0043b.011015



1. GYPSUM WALL ASSEMBLY (UL/cUL CLASSIFIED U300, U400 V400, OR W400 SERIES) (1-HR. OR 2-HR. FIRE-RATING) (2-HR. SHOWN) TO INCLUDE THE FOLLOWING CONSTRUCTION FEATURES :
 - A. STEEL STUDS TO BE MINIMUM 2-1/2" WIDE (SPACED MAXIMUM 24" OC).
 - B. NOMINAL 5/8" THICK GYPSUM WALLBOARD. TYPE, NUMBER OF LAYERS, AND SHEET ORIENTATION AS SPECIFIED IN THE INDIVIDUAL UL DESIGN.
2. OPENING TO BE FRAMED OUT WITH ADDITIONAL FRAMING MEMBERS.
3. HILTI Z-FRAME SECURED ON TOP AND BOTH SIDES OF OPENING TO FRAMING MATERIAL WITH MINIMUM 3/16" DIAMETER BY 2-5/8" LONG TYPE S SELF-DRILLING STEEL SCREWS MAXIMUM 1/2" FROM EACH END 12" OC.
4. HILTI CFS-BL FIRESTOP BLOCK (2" THICK x 8" WIDE x 5" DEEP, REFERENCE : FRONT VIEW) FIRMLY PACKED AND FLUSH WITH BACK LIP OF Z-FRAME.

NOTES : 1. MAXIMUM AREA OF OPENING = 288 SQ. IN., WITH A MAXIMUM DIMENSION OF 24".
 2. [OPTIONAL] APPLY HILTI FS-ONE MAX OR FS-ONE INTUMESCENT FIRESTOP SEALANT OR HILTI CP 618 FIRESTOP PUTTY STICK IN ANY VOID THAT MAY EXIST BETWEEN FIRESTOP BLOCKS.



HILTI, Inc.
 Tulsa, Oklahoma USA (800) 879-8000

Sheet	1 of 1
Scale	1/8" = 1"
Date	Jan. 10, 2015

Drawing No.
WL 0043b