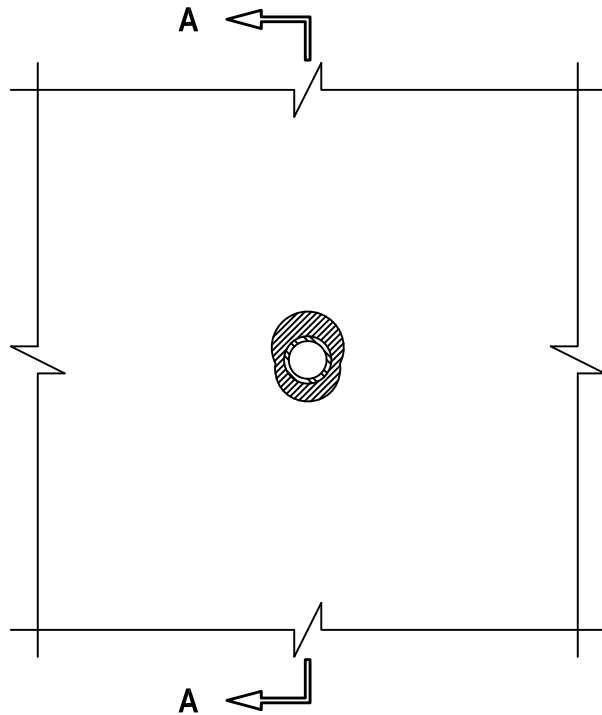


FLEXIBLE STEEL CONDUIT THROUGH GYPSUM WALL ASSEMBLY

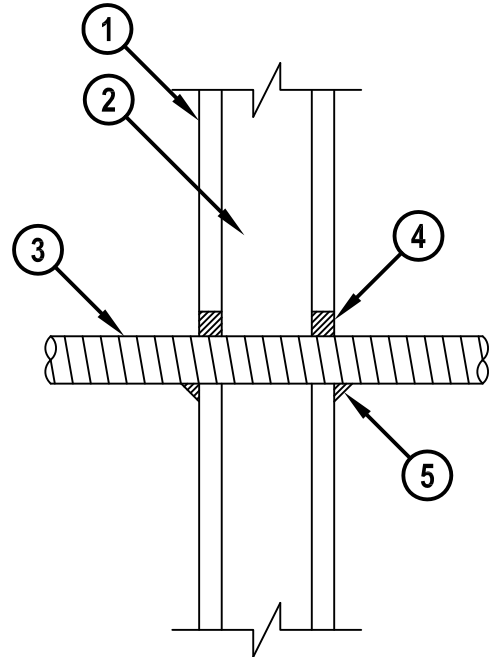
F-RATING = 1-HR.
T-RATING = 0-HR.

WL1214b.011215

FRONT VIEW



SECTION A-A



1. GYPSUM WALL ASSEMBLY (UL/cUL CLASSIFIED U300 OR U400 SERIES) (1-HR. FIRE-RATING).
2. [NOT SHOWN] WOOD STUDS TO CONSIST OF 2" x 4" LUMBER. STEEL STUDS TO BE MINIMUM 2-1/2" WIDE.
3. MAXIMUM 1" NOMINAL DIAMETER FLEXIBLE STEEL CONDUIT.
4. MINIMUM 5/8" DEPTH HILTI FS-ONE MAX OR FS-ONE HIGH PERFORMANCE INTUMESCENT FIRESTOP SEALANT.
5. MINIMUM 1/2" BEAD HILTI FS-ONE MAX OR FS-ONE HIGH PERFORMANCE INTUMESCENT FIRESTOP SEALANT APPLIED AT POINT OF CONTACT.

NOTES : 1. MAXIMUM DIAMETER OF OPENING = 2".
2. ANNULAR SPACE = MINIMUM 0", MAXIMUM 3/4".



HILTI, Inc.
Tulsa, Oklahoma USA (800) 879-8000

Sheet	1 of 1
Scale	3/16" = 1"
Date	Jan. 12, 2015

Drawing No.
**WL
1214b**