

UL/cUL SYSTEM NO. W-L-1289

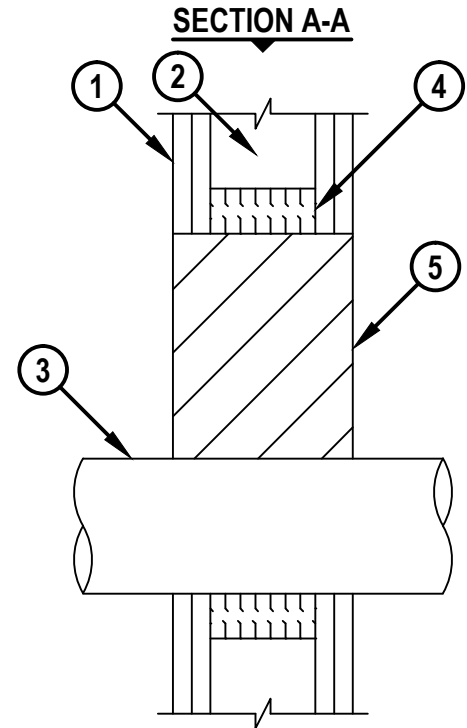
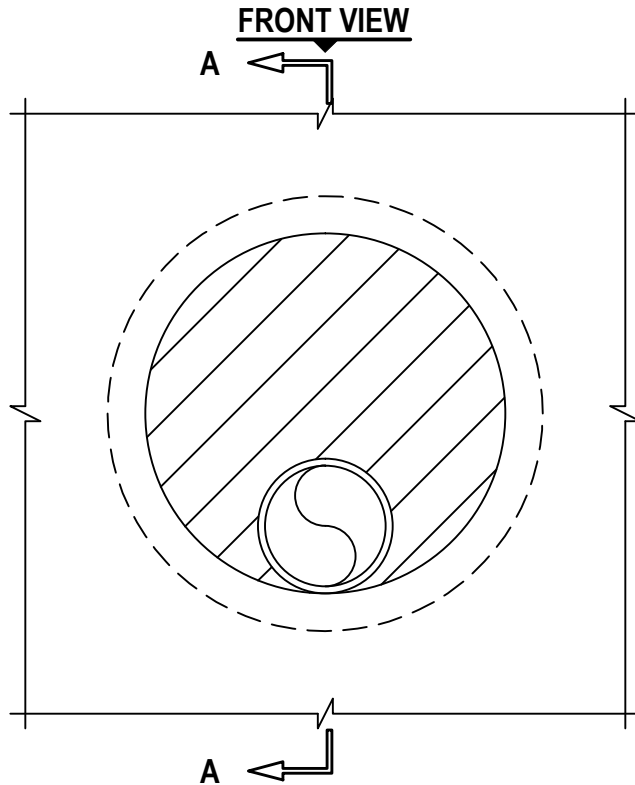
METAL PIPE THROUGH GYPSUM WALL ASSEMBLY

F-RATING = 1-HR. OR 2-HR.

T-RATING = 0-HR.

L-RATING AT AMBIENT = LESS THAN 1 CFM / SQ FT

L-RATING AT 400°F = LESS THAN 1 CFM / SQ FT



WL1289d.021218

1. GYPSUM WALL ASSEMBLY (UL/cUL CLASSIFIED U300, U400, OR V400 SERIES) (1-HR. OR 2-HR. FIRE-RATING) (2-HR. SHOWN).
2. [NOT SHOWN] WOOD STUDS TO CONSIST OF NOMINAL 2" x 4" LUMBER. STEEL STUDS TO BE MINIMUM 3-1/2" WIDE.
3. PENETRATING ITEM TO BE ONE OF THE FOLLOWING :
 - A. MAXIMUM 4" DIAMETER STEEL PIPE (SCHEDULE 10 OR HEAVIER).
 - B. MAXIMUM 4" DIAMETER CAST IRON PIPE.
 - C. MAXIMUM 4" NOMINAL DIAMETER COPPER PIPE.
 - D. MAXIMUM 4" NOMINAL DIAMETER STEEL CONDUIT.
 - E. MAXIMUM 4" NOMINAL DIAMETER EMT.
4. GLASS-FIBER INSULATION OR MINERAL WOOL (MIN. 4 PCF DENSITY) TIGHTLY PACKED WITHIN WALL CAVITY TO PERMANENTLY SUPPORT HILTI CP 620 FIRE FOAM.
5. HILTI CP 620 FIRE FOAM INSTALLED FLUSH WITH BOTH SURFACES OF THE WALL :
 - A. MINIMUM 4-3/4" THICKNESS, FOR A 1-HR. FIRE-RATING.
 - B. MINIMUM 6" THICKNESS, FOR A 2-HR. FIRE-RATING.

NOTES : 1. MAXIMUM DIAMETER OF OPENING = 12".
2. ANNULAR SPACE = MINIMUM 0", MAXIMUM 7-7/8".

HILTI
Hilti Firestop Systems

HILTI, Inc.
Plano, Texas USA (918) 252-6000

Sheet 1 of 1
Scale 5/32" = 1"
Date Feb. 12, 2018

Drawing No.

WL
1289d

Saving Lives through Innovation and Education