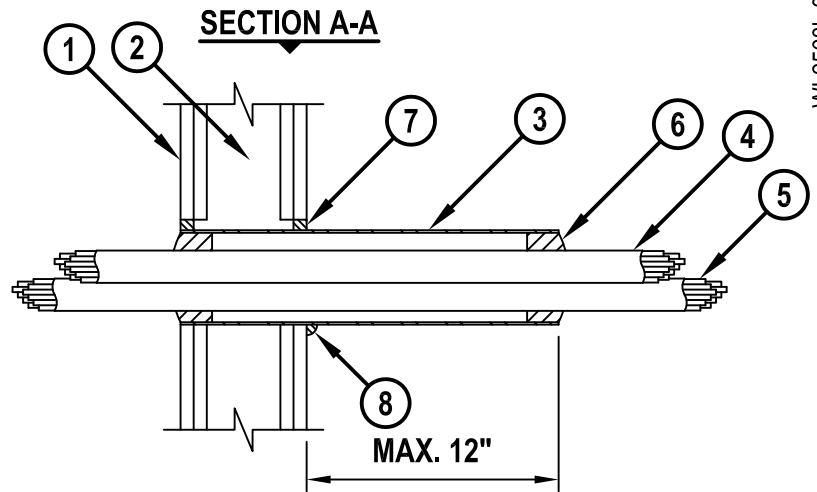
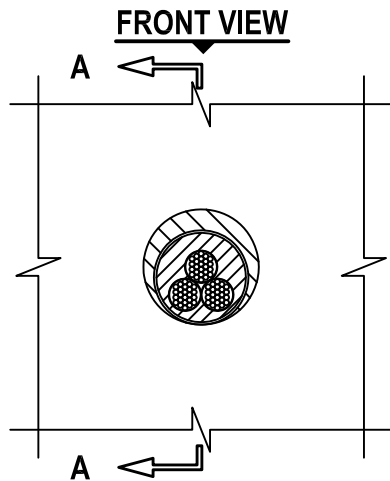


CABLE BUNDLE WITHIN NYLON RACEWAY THROUGH GYPSUM WALL ASSEMBLY

F-RATING = 1-HR. OR 2-HR.
T-RATING = 0-HR. OR 1-HR.



WL2568b.011615

1. GYPSUM WALL ASSEMBLY (UL/cUL CLASSIFIED U300, U400 OR V400 SERIES) (1-HR. OR 2-HR. FIRE-RATING) (2-HR. SHOWN).
2. [NOT SHOWN] WOOD STUDS TO CONSIST OF NOMINAL 2" x 4" LUMBER. STEEL STUDS TO BE MINIMUM 3-1/2" WIDE.
3. MAXIMUM 4" NOMINAL DIAMETER STEEL PIPE (SCHEDULE 10 OR HEAVIER), STEEL CONDUIT OR EMT SLEEVE.
4. MAXIMUM 3" DIAMETER FLEXIBLE NYLON OPTICAL FIBER/COMMUNICATIONS CABLE ROUTING ASSEMBLY (UL LISTED FOR PLENUM INSTALLATION) WITH A MAXIMUM OF THREE 1-1/2" DIAMETER CELLS.
5. CABLE BUNDLE TO BE A COMBINATION OF ANY OF THE FOLLOWING :
 - A. MAXIMUM 100 PAIR NO. 24 AWG TELEPHONE CABLE WITH PVC JACKET.
 - B. MAXIMUM 24 FIBER OPTIC CABLE WITH PVC JACKET.
6. HILTI CP 658T FIRESTOP PLUG CUT TO FIT AROUND THE CABLE BUNDLE AND INSTALLED TIGHTLY WITHIN SLEEVE SUCH THAT THE OUTER CIRCUMFERENCE OF THE DOME SHAPED PLUG IS FLUSH WITH BOTH SURFACES OF THE WALL OR SLEEVE.
7. MINIMUM 5/8" DEPTH HILTI FS-ONE MAX OR FS-ONE INTUMESCENT FIRESTOP SEALANT OR CP 618 FIRESTOP PUTTY STICK.
8. MINIMUM 1/2" BEAD HILTI FS-ONE MAX OR FS-ONE INTUMESCENT FIRESTOP SEALANT OR CP 618 FIRESTOP PUTTY STICK APPLIED AT WALL/SLEEVE INTERFACE WHEN STEEL SLEEVE EXTENDS BEYOND ONE OR BOTH SIDES OF WALL.

NOTES :

1. MAXIMUM DIAMETER OF OPENING = 5-1/2".
2. ANNULAR SPACE BETWEEN STEEL SLEEVE AND PERIPHERY OF OPENING = MINIMUM 0", MAXIMUM 1".
3. ANNULAR SPACE BETWEEN CABLES INSIDE OF SLEEVE = MINIMUM 0", MAXIMUM 3".
4. CABLES TO FILL MAXIMUM 80% EACH CELL OF FLEXIBLE NYLON CABLE ROUTING ASSEMBLY.
5. CABLES TO FILL MAXIMUM 60% CROSS-SECTIONAL AREA OF SLEEVE.



HILTI, Inc.
Tulsa, Oklahoma USA (800) 879-8000

Sheet	1 of 1
Scale	7/64" = 1"
Date	Jan. 16, 2015

Drawing No.
**WL
2568b**