

UL/cUL SYSTEM NO. W-L-3071

CABLES THROUGH GYPSUM WALL ASSEMBLY

F-RATING = 1-HR. OR 2-HR.

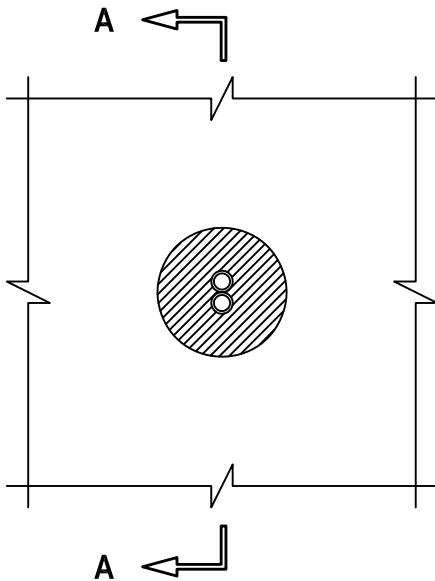
T-RATING = 1/4-HR. OR 3/4-HR.

L RATING AT AMBIENT = LESS THAN 1 CFM / SQ FT

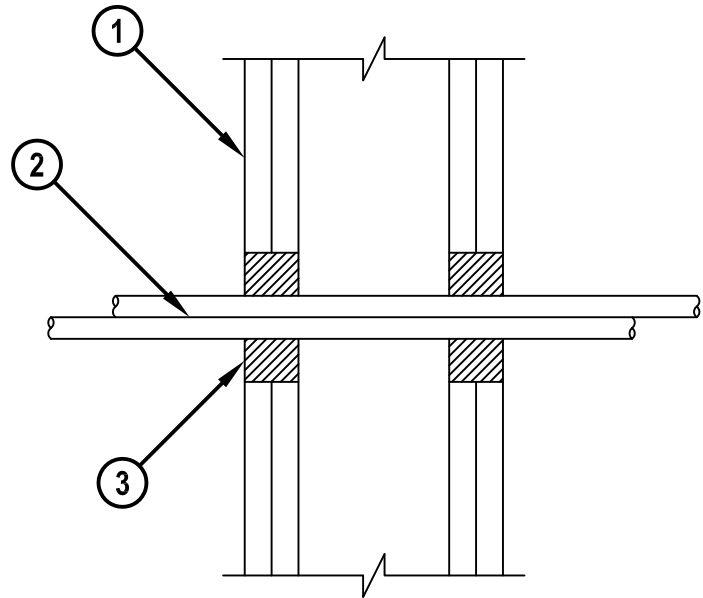
L RATING AT 400° F = 4 CFM / SQ FT

WL3071f.011415

FRONT VIEW



SECTION A-A



1. GYPSUM WALL ASSEMBLY (UL/cULC CLASSIFIED U300 OR U400 SERIES) (1-HR. OR 2-HR. FIRE-RATING) (2-HR. SHOWN).
2. MAXIMUM 3/C (+ GRND) NO. 2/0 AWG ALUMINUM OR COPPER SER CABLE WITH PVC INSULATION (MAX. QTY. = 2).
3. HILTI FS-ONE MAX OR FS-ONE INTUMESCENT FIRESTOP SEALANT :
 - A. MINIMUM 5/8" DEPTH, FOR A 1-HR. FIRE-RATING.
 - B. MINIMUM 1-1/4" DEPTH, FOR A 2-HR. FIRE-RATING.

**NOTES : 1. MAXIMUM DIAMETER OF OPENING = 3".
2. ANNULAR SPACE = MINIMUM 1/2", MAXIMUM 1-1/2".**



Hilti Firestop Systems

HILTI, Inc.
Tulsa, Oklahoma USA (800) 879-8000

Sheet	1 of 1
Scale	3/16" = 1"
Date	Jan. 14, 2015

Drawing No.

**WL
3071f**

Saving Lives through Innovation and Education