

CABLE BUNDLE THROUGH GYPSUM WALL ASSEMBLY

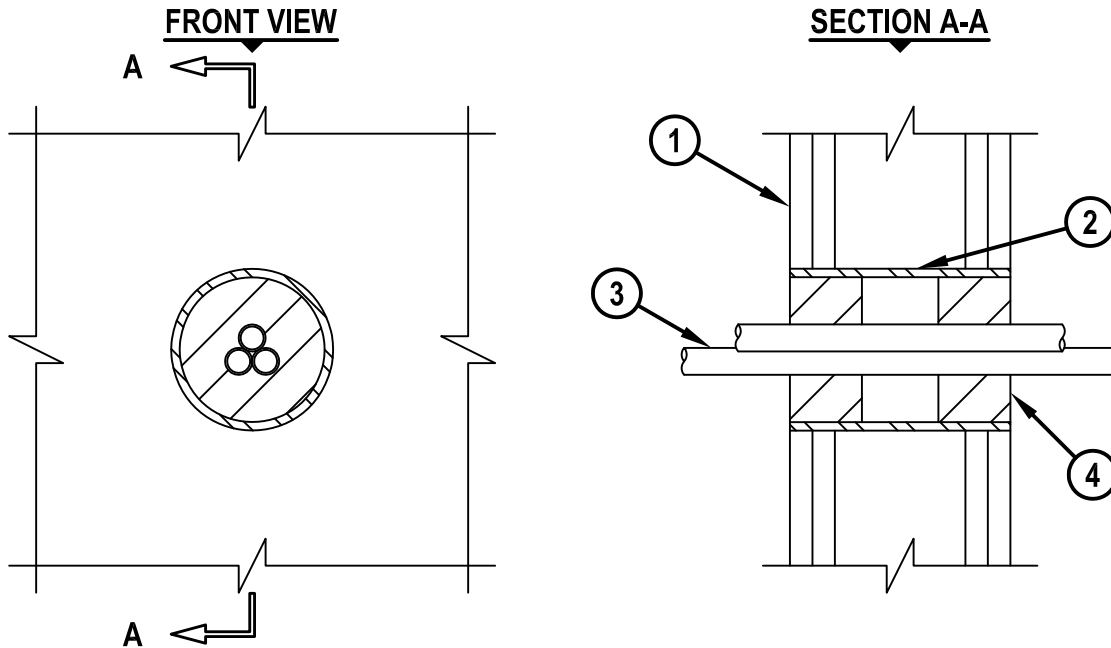
F-RATING = 1-HR. OR 2-HR.

T-RATING = 0-HR.

L RATING AT AMBIENT = 5 CFM / SQ FT

L RATING AT 400° F = 2 CFM / SQ FT

WL3089e.011415



1. GYPSUM WALL ASSEMBLY (UL/cUL CLASSIFIED U300, U400, V400, OR W400 SERIES) (1-HR. OR 2-HR. FIRE-RATING) (2-HR. SHOWN) TO INCLUDE THE FOLLOWING CONSTRUCTION FEATURES :
 - A. [NOT SHOWN] WOOD STUDS TO CONSIST OF NOMINAL 2" x 4" LUMBER (SPACED MAXIMUM 16" OC). STEEL STUDS TO BE MINIMUM 2-1/2" WIDE (SPACED MAXIMUM 24" OC).
 - B. NOMINAL 5/8" THICK GYPSUM WALLBOARD. TYPE, NUMBER OF LAYERS, AND SHEET ORIENTATION AS SPECIFIED IN THE INDIVIDUAL UL DESIGN.
2. [OPTIONAL] MAXIMUM 4" NOMINAL DIAMETER STEEL PIPE SLEEVE (SCHEDULE 5 OR THINNER) OR EMT PIPE SLEEVE.
3. ANY OF THE FOLLOWING TYPES OF CABLES MAY BE USED :
 - A. MAXIMUM 25 PAIR NO. 24 AWG TELEPHONE CABLE.
 - B. MAXIMUM 7/C NO. 12 AWG CABLE.
 - C. RG 59 COAXIAL CABLE.
 - D. MAXIMUM 5/8" DIAMETER FIBER-OPTIC CABLE.
4. HILTI CFS-BL FIRESTOP BLOCK OR HILTI FS 657 FIRE BLOCK (4" DIAMETER x 2" DEEP, REFERENCE : FRONT VIEW).

NOTES : 1. MAXIMUM DIAMETER OF OPENING = 4".
 2. CABLES TO FILL A MAXIMUM 28% OF CROSS-SECTIONAL AREA OF OPENING.
 3. ANNULAR SPACE = MINIMUM 0", MAXIMUM 2".
 4. APPLY HILTI FS-ONE MAX OR FS-ONE INTUMESCENT FIRESTOP SEALANT OR HILTI CP 618 FIRESTOP PUTTY STICK IN ANY VOID THAT MAY EXIST (AROUND CABLES).



HILTI, Inc.
 Tulsa, Oklahoma USA (800) 879-8000

Sheet	1 of 1
Scale	3/16" = 1"
Date	Jan. 14, 2015

Drawing No.

**WL
3079e**