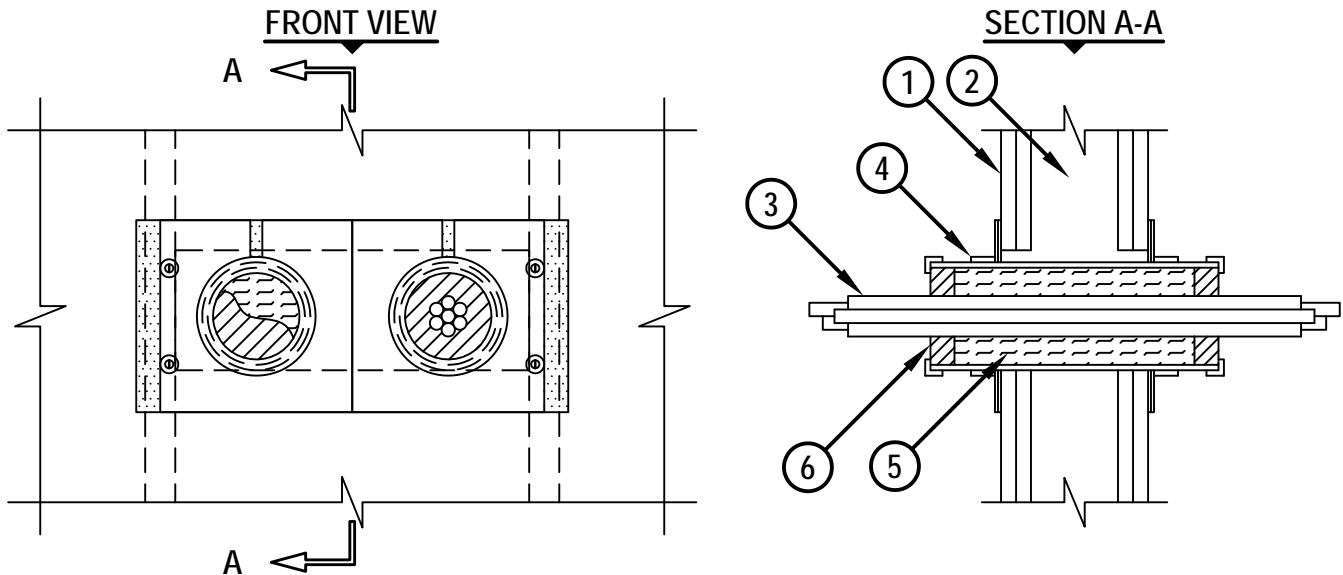


MULTIPLE CABLE BUNDLES THROUGH GYPSUM WALL ASSEMBLY

F-RATING = 1-HR. OR 2-HR.

T-RATING = 1-HR.

WL3316a.032112



1. GYPSUM WALL ASSEMBLY (UL/cUL CLASSIFIED U300, U400, OR V400 SERIES) (1-HR. OR 2-HR. FIRE-RATING) (2-HR. SHOWN).
2. [NOT SHOWN] WOOD STUDS TO CONSIST OF NOMINAL 2" x 4" LUMBER (SPACED MAXIMUM 16" OC). STEEL STUDS TO BE MINIMUM 3-5/8" WIDE (SPACED MAXIMUM 16" OC).
3. CABLE BUNDLE TO BE ANY COMBINATION OF THE FOLLOWING :
 - A. MAXIMUM 200 PAIR NO. 24 AWG (OR SMALLER) COPPER CONDUCTOR CABLE WITH PVC JACKET.
 - B. MAXIMUM 750 KCMIL POWER CABLE WITH PVC JACKET.
 - C. MAXIMUM 3/C NO. 2/0 AWG (OR SMALLER) ALUMINUM OR COPPER CONDUCTOR SERVICE ENTRANCE CABLE WITH PVC JACKET.
 - D. MAXIMUM 3/C NO. 8 AWG (OR SMALLER) NONMETALLIC SHEATHED (ROMEX) CABLE WITH COPPER CONDUCTORS AND PVC JACKET.
 - E. MAXIMUM 7/C NO. 12 AWG (OR SMALLER) POWER AND CONTROL CABLES WITH XLPE OR PVC JACKET.
 - F. MAXIMUM RG6/U (OR SMALLER) COAXIAL CABLE WITH FLUORINATED ETHYLENE JACKET.
 - G. MAXIMUM 62.5/48 FIBER-OPTIC CABLE WITH PVC JACKET.
 - H. MAXIMUM 4 PAIR NO. 24 AWG (OR SMALLER) CAT 5 CABLE WITH HYLAR JACKET.
4. DUAL OR TRIPLE SPLIT SLEEVE WITH COVER PLATE (MANUFACTURED BY UNIQUE FIRE STOP PRODUCTS, INC.). DEVICE INSTALLED PER MANUFACTURER'S INSTALLATION INSTRUCTIONS.
5. MINIMUM 10" THICKNESS MINERAL WOOL (MIN. 4 PCF DENSITY) TIGHTLY PACKED WHEN THERE IS LESS THAN 8% CABLE FILL.
6. MINIMUM 1" DEPTH HILTI CP 618 FIRESTOP PUTTY STICK FLUSH WITH BOTH ENDS OF SLEEVE.

NOTES : 1. MAXIMUM SIZE OF OPENING FOR 2" DEVICES = 14-3/4" x 3".
 2. MAXIMUM SIZE OF OPENING FOR 4" DEVICES = 14-3/4" x 5".
 3. CABLES TO FILL 0% TO MAXIMUM 45% OF CROSS-SECTIONAL AREA OF SPLIT SLEEVE.



HILTI, Inc.
 Tulsa, Oklahoma USA (800) 879-8000

Sheet	1 of 1
Scale	1/8" = 1"
Date	Mar. 21, 2012

Drawing No.
WL
3316a