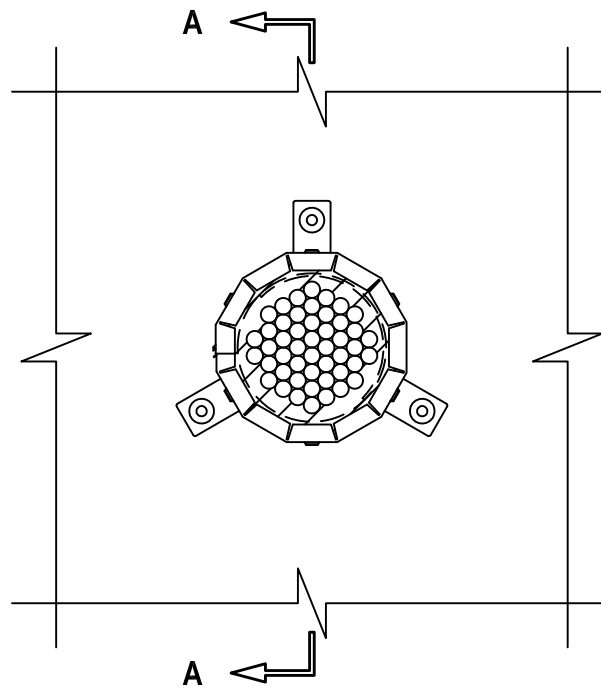


UL/cUL SYSTEM NO. W-L-3396

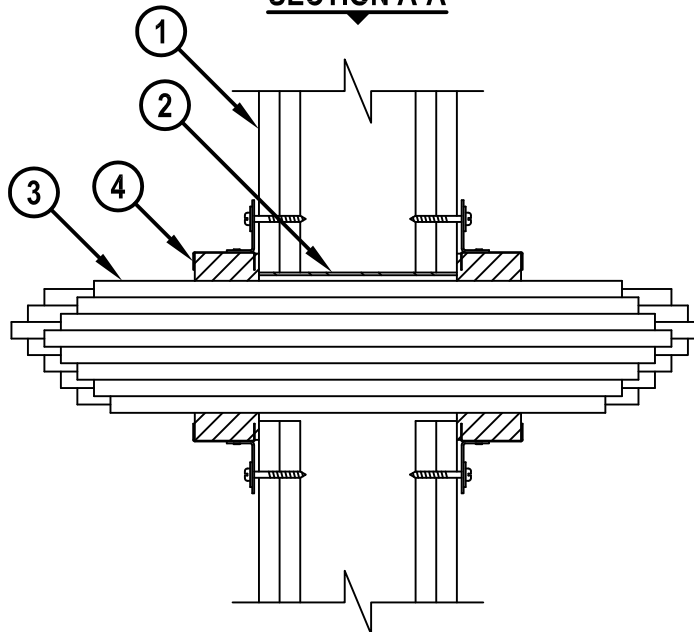
# CABLE BUNDLE THROUGH GYPSUM WALL ASSEMBLY

F-RATING = 1-HR. OR 2-HR.  
T-RATING = 0-HR., 1-HR., OR 2-HR.  
L-RATING = (SEE TABLE BELOW)

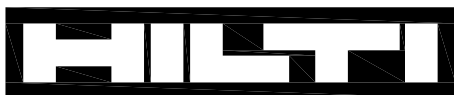
FRONT VIEW



SECTION A-A



WL3396d.011415



**Hilti Firestop Systems**

HILTI, Inc.  
Tulsa, Oklahoma USA (800) 879-8000

Sheet	1 of 2
Scale	11/64" = 1"
Date	Jan. 14, 2015

Drawing No.

**WL  
3396d**

*Saving Lives through Innovation and Education*

**CABLE BUNDLE THROUGH GYPSUM WALL ASSEMBLY**

F-RATING = 1-HR. OR 2-HR.  
 T-RATING = 0-HR., 1-HR., OR 2-HR.  
 L-RATING = (SEE TABLE BELOW)

WL3396d.011415

1. GYPSUM WALL ASSEMBLY (UL/cUL CLASSIFIED U300, U400, V400, OR W400 SERIES) (1-HR. OR 2-HR. FIRE-RATING) (2-HR. SHOWN) TO INCLUDE THE FOLLOWING CONSTRUCTION FEATURES :
  - A. [NOT SHOWN] WOOD STUDS TO CONSIST OF NOMINAL 2" x 4" LUMBER (SPACED MAXIMUM 16" OC). STEEL STUDS TO BE MINIMUM 3-1/2" WIDE (SPACED MAXIMUM 24" OC).
  - B. NOMINAL 5/8" THICK GYPSUM WALLBOARD. TYPE, NUMBER OF LAYERS, AND SHEET ORIENTATION AS SPECIFIED IN THE INDIVIDUAL UL DESIGN.
2. [OPTIONAL] MAXIMUM 4" NOMINAL DIAMETER STEEL PIPE SLEEVE (SCHEDULE 5 OR HEAVER), SHEET METAL SLEEVE (MIN. 28 GA.), OR PVC PIPE SLEEVE (SCHEDULE 40) FLUSH WITH WALL SURFACES.
3. CABLE BUNDLE TO BE A COMBINATION OF ANY OF THE FOLLOWING :
  - A. MAXIMUM 100 PAIR NO. 24 AWG TELEPHONE CABLE WITH PVC JACKET.
  - B. MAXIMUM 7/C NO. 12 AWG COPPER CONDUCTOR CONTROL CABLE WITH PVC AND XLPE JACKET AND INSULATION.
  - C. MAXIMUM 4/0 AWG TYPE RHH GROUND CABLE.
  - D. MAXIMUM 4 PAIR NO. 22 AWG CAT 5 OR 6 COMPUTER CABLE.
  - E. MAXIMUM RG 6/U COAXIAL CABLE.
  - F. MAXIMUM 1/2" DIAMETER FIBER-OPTIC CABLE (24 FIBER) WITH PVC OR PE JACKET AND INSULATION.
  - G. MAXIMUM 3/C NO. 12 AWG MC CABLE.
4. HILTI CFS-CC 4" FIRESTOP CABLE COLLAR CENTERED OVER OPENING AND MOUNTED TO FACE OF GYPSUM WALL WITH NO. 10 x 1-1/2" LONG STEEL LAMINATING SCREWS AND MIN. 9/16" DIAMETER STEEL WASHERS OR MIN. 3/16" TOGGLE BOLTS WITH MIN. 9/16" DIAMETER STEEL WASHERS. PLUG WITHIN COLLAR TO BE CUT TO FIT TIGHTLY AROUND THE CABLE BUNDLE.

OPENING	CFM (PER DEVICE)		CFM / SQ FT OPENING	
	AMBIENT	400F	AMBIENT	400F
BLANK OPENING ONLY (NO CABLES)	LESS THAN 1	LESS THAN 1	LESS THAN 1	4
MAX. 100% FILL CAT 5 AND/OR CAT 6 CABLES	1.2	LESS THAN 1	13.2	8.9

**NOTES :** 1. MAXIMUM DIAMETER OF OPENING = 4".  
 2. CABLES MAY REPRESENT 0% TO 100% VISUAL FILL OF OPENING.  
 3. WHEN PVC SLEEVE IS USED, CABLES TO FILL MAXIMUM 45% OF CROSS-SECTIONAL AREA OF SLEEVE.  
 4. [OPTIONAL] HILTI FS-ONE MAX OR FS-ONE INTUMESCENT FIRESTOP SEALANT OR HILTI CP 618 FIRESTOP PUTTY STICK MAY BE APPLIED TO FILL INTERSTICES BETWEEN AND AROUND THE CABLE BUNDLE.



HILTI, Inc.  
 Tulsa, Oklahoma USA (800) 879-8000

Sheet	2 of 2
Scale	-
Date	Jan. 14, 2015

Drawing No.  
**WL**  
**3396d**