

UL/cUL SYSTEM NO. W-L-4011

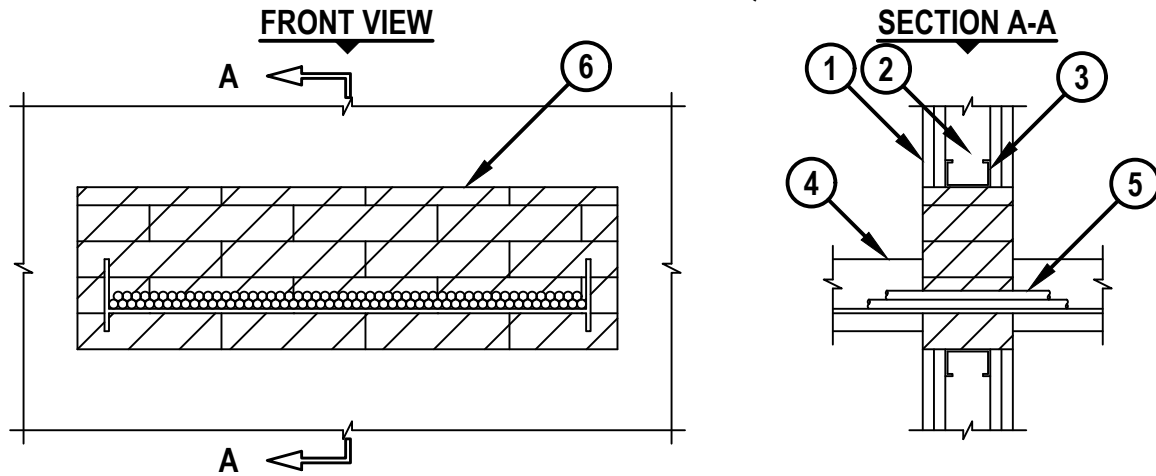
## CABLE TRAY THROUGH GYPSUM WALL ASSEMBLY

F-RATING = 1-HR. OR 2-HR.

T-RATING = 0-HR.

L-RATING AT AMBIENT = 5 CFM / SQ FT

L-RATING AT 400°F = 2 CFM / SQ FT



WL4011p.091521

1. GYPSUM WALL ASSEMBLY (UL/cUL CLASSIFIED U300, U400, V400, OR W400 SERIES) (1-HR. OR 2-HR. FIRE-RATING) (2-HR. SHOWN).
2. [NOT SHOWN] WOOD STUDS TO CONSIST OF NOMINAL 2" x 4" LUMBER. STEEL STUDS TO BE MINIMUM 2-1/2" WIDE.
3. OPENING TO BE "FRAMED OUT" WITH ADDITIONAL FRAMING MEMBERS.
4. MAXIMUM 24" x 6" ALUMINUM OR STEEL OPEN LADDER OR SOLID BACK CABLE TRAY.
5. CABLES TO BE ANY COMBINATION OF THE FOLLOWING :
  - A. MAXIMUM 300 PAIR NO. 24 AWG TELEPHONE CABLE.
  - B. MAXIMUM 750 KCMIL SINGLE CONDUCTOR POWER CABLE.
  - C. MAXIMUM 1/2" DIAMETER FIBER-OPTIC CABLE (24 FIBER).
  - D. MAXIMUM 3/C NO. 12 AWG METAL CLAD CABLE.
6. HILTI CFS-BL FIRESTOP BLOCK (2" THICK x 8" WIDE x 5" DEEP, REFERENCE : FRONT VIEW) FIRMLY PACKED AND CENTERED WITHIN OPENING.

- NOTES :**
1. MAXIMUM SIZE OF OPENING = 30" x 9".
  2. ANNULAR SPACE = MINIMUM 0", MAXIMUM 4".
  3. MAXIMUM AREA OF CABLES EQUALS 45% OF CROSS-SECTIONAL AREA OF CABLE TRAY BASED ON A MAXIMUM 5" CABLE LOADING DEPTH.
  4. FOR WALLS CONSTRUCTED OF STEEL STUDS LARGER THAN 3-5/8", FIRESTOP BLOCKS SHOULD BE INSTALLED 8" DEEP, RECESSED UP TO A MAXIMUM 1/2" FROM OUTER WALL SURFACES.
  5. APPLY HILTI FS-ONE MAX INTUMESCENT FIRESTOP SEALANT OR CP 618 FIRESTOP PUTTY STICK INTO INTERSTICES OF CABLES, BETWEEN CABLES AND CABLE TRAY, AND ANY VOIDS TO MAXIMUM EXTENT POSSIBLE.
  6. L-RATINGS ONLY APPLY WHEN HILTI FS-ONE MAX INTUMESCENT FIRESTOP SEALANT IS USED.

**HILTI**  
Hilti Firestop Systems

HILTI, Inc.  
Tulsa, Oklahoma USA (800) 879-8000

Sheet	1 of 1
Scale	3/32" = 1"
Date	Sep. 15, 2021

Drawing No.

**WL**  
**4011p**

*Saving Lives through Innovation and Education*