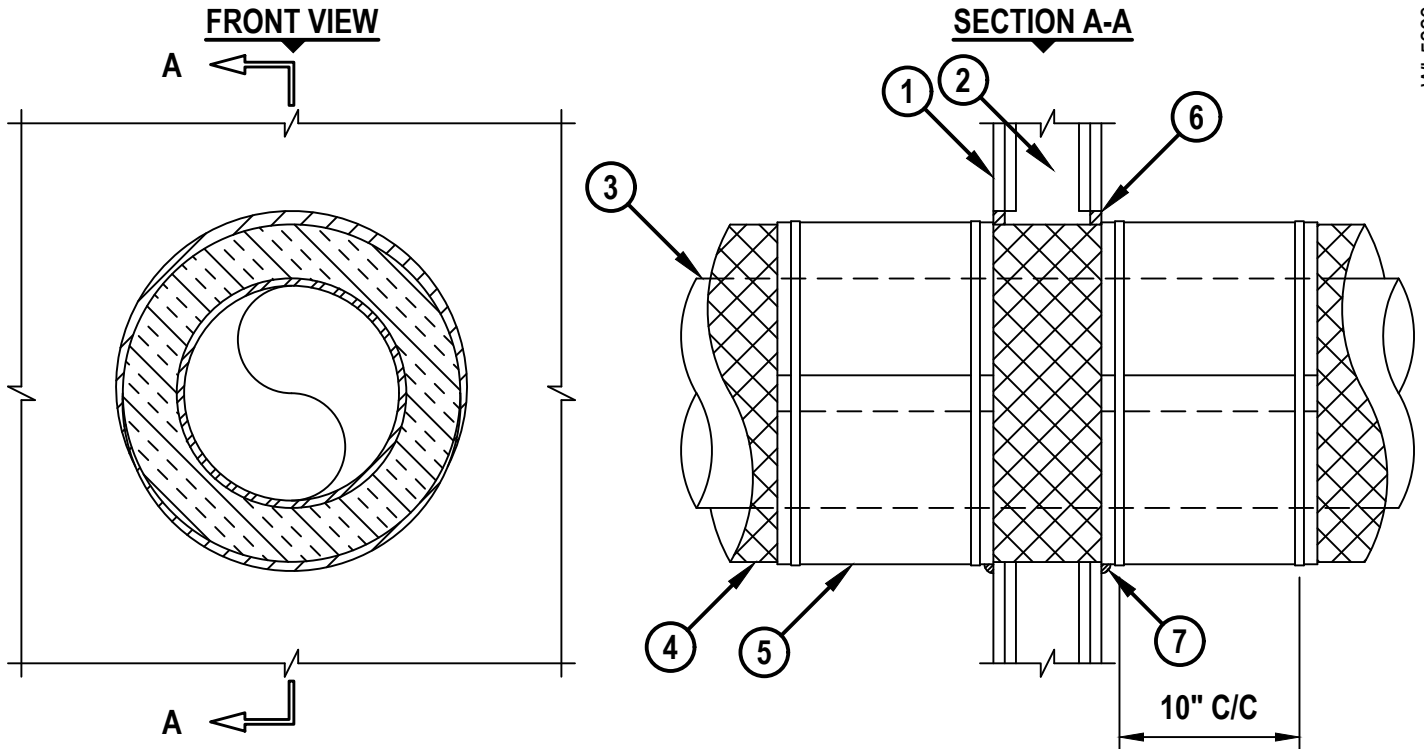


INSULATED METAL PIPE THROUGH GYPSUM WALL ASSEMBLY

F-RATING = 1-HR. OR 2-HR.

T-RATING = 0-HR.

WL5223d.040622



1. GYPSUM WALL ASSEMBLY (UL/cUL CLASSIFIED U300 OR U400 SERIES) (1-HR. OR 2-HR. FIRE-RATING) (2-HR. SHOWN).
2. [NOT SHOWN] WOOD STUDS TO CONSIST OF NOMINAL 2" x 4" LUMBER. STEEL STUDS TO BE MINIMUM 3-1/2" WIDE.
3. PENETRATING ITEM TO BE ONE OF THE FOLLOWING :
 - A. MAXIMUM 12" NOMINAL DIAMETER STEEL PIPE (SCHEDULE 40 OR HEAVIER).
 - B. MAXIMUM 6" NOMINAL DIAMETER COPPER PIPE OR TUBING.
4. FOAMGLASS PIPE® INSULATION MANUFACTURED BY PITTSBURGH CORNING CORP. (THICKNESS : MINIMUM 1-1/2", MAXIMUM 3").
5. [OPTIONAL] MINIMUM 12" LONG JACKET FORMED OF MINIMUM 0.010" THICKNESS, STEEL OR ALUMINUM SHEET, SECURED IN PLACE WITH TWO STEEL BAND CLAMPS. ENDS OF THE JACKET TO OVERLAP BY A MINIMUM 2".
6. MINIMUM 5/8" DEPTH HILTI FS-ONE MAX INTUMESCENT FIRESTOP SEALANT.
7. MINIMUM 1/2" BEAD HILTI FS-ONE MAX INTUMESCENT FIRESTOP SEALANT APPLIED AT POINT OF CONTACT.

NOTES : 1. MAXIMUM DIAMETER OF OPENING = 14-1/2" FOR WOOD STUD WALLS, AND 20" FOR STEEL STUD WALLS.
 2. ANNULAR SPACE = MINIMUM 0", MAXIMUM 3/4".



HILTI, Inc.
 Plano, Texas USA (800) 879-8000

Sheet	1 of 1
Scale	3/32" = 1"
Date	Apr. 06, 2022

Drawing No.
WL 5223d