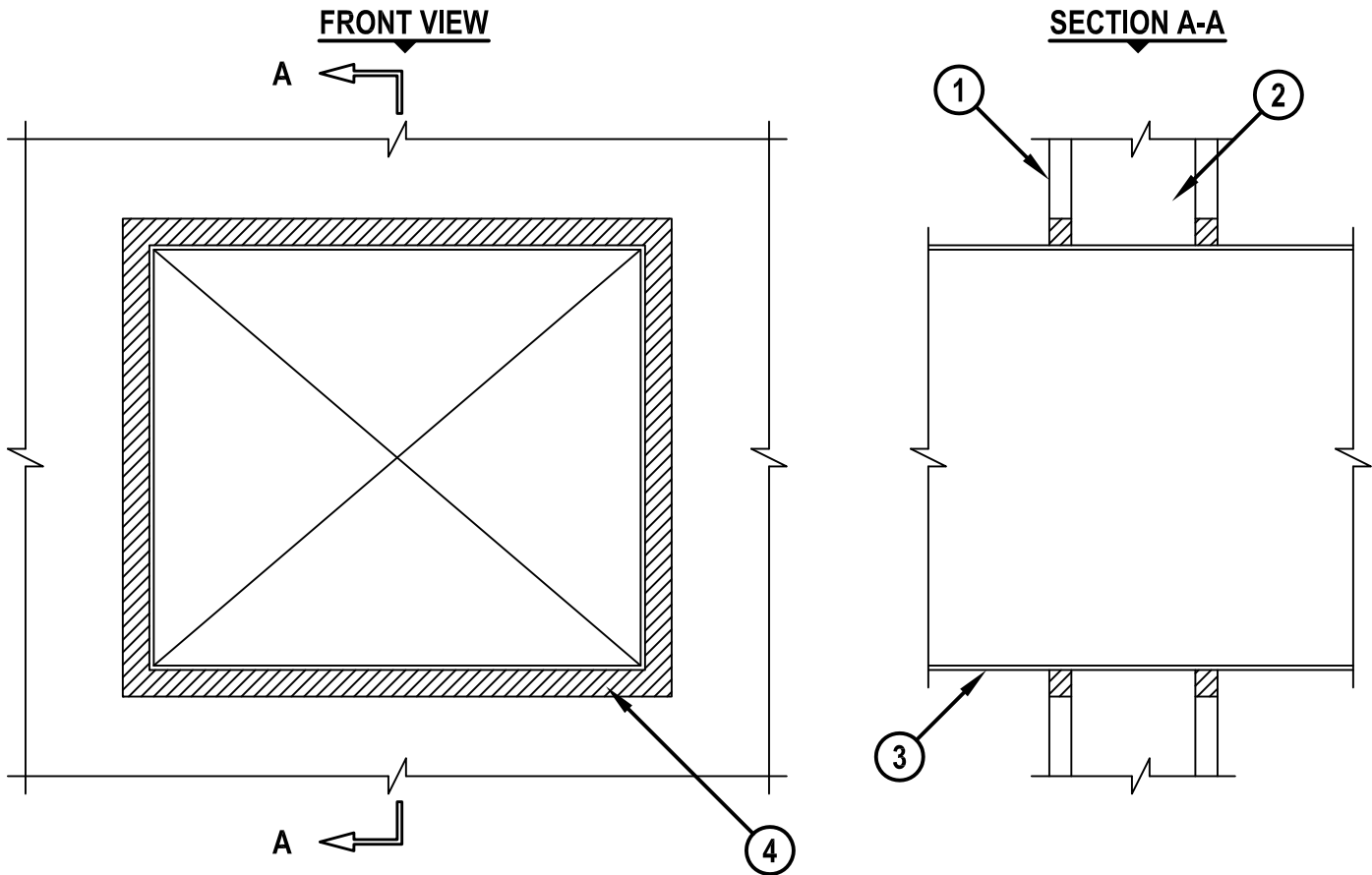


SHEET-METAL DUCT THROUGH GYPSUM WALL ASSEMBLY

F-RATING = 1-HR.

T-RATING = 0-HR.

WL7096b.011415



- 1. GYPSUM WALL ASSEMBLY (UL/cUL CLASSIFIED U300 OR U400 SERIES) (1-HR. FIRE-RATING).
- 2. [NOT SHOWN] WOOD STUDS TO CONSIST OF NOMINAL 2" x 4" LUMBER. STEEL STUDS TO BE MINIMUM 3-1/2" WIDE.
- 3. RECTANGULAR SHEET METAL DUCT (MAXIMUM SIZE : 14" x 12", MINIMUM 24 GA. THICKNESS).
(NOTE : NOT FOR USE IN DUCT SYSTEMS CONTAINING A FIRE DAMPER).
- 4. MINIMUM 5/8" DEPTH HILTI FS-ONE MAX OR FS-ONE INTUMESCENT FIRESTOP SEALANT.

NOTES : 1. MAXIMUM AREA OF OPENING = 202 SQ. IN. WITH A MAXIMUM DIMENSION OF 15-1/4".
2. ANNULAR SPACE = MINIMUM 1/4", MAXIMUM 3/4".



HILTI, Inc.
Tulsa, Oklahoma USA (800) 879-8000

Sheet	1 of 1
Scale	3/16" = 1"
Date	Jan. 14, 2015

Drawing No.
**WL
7096b**