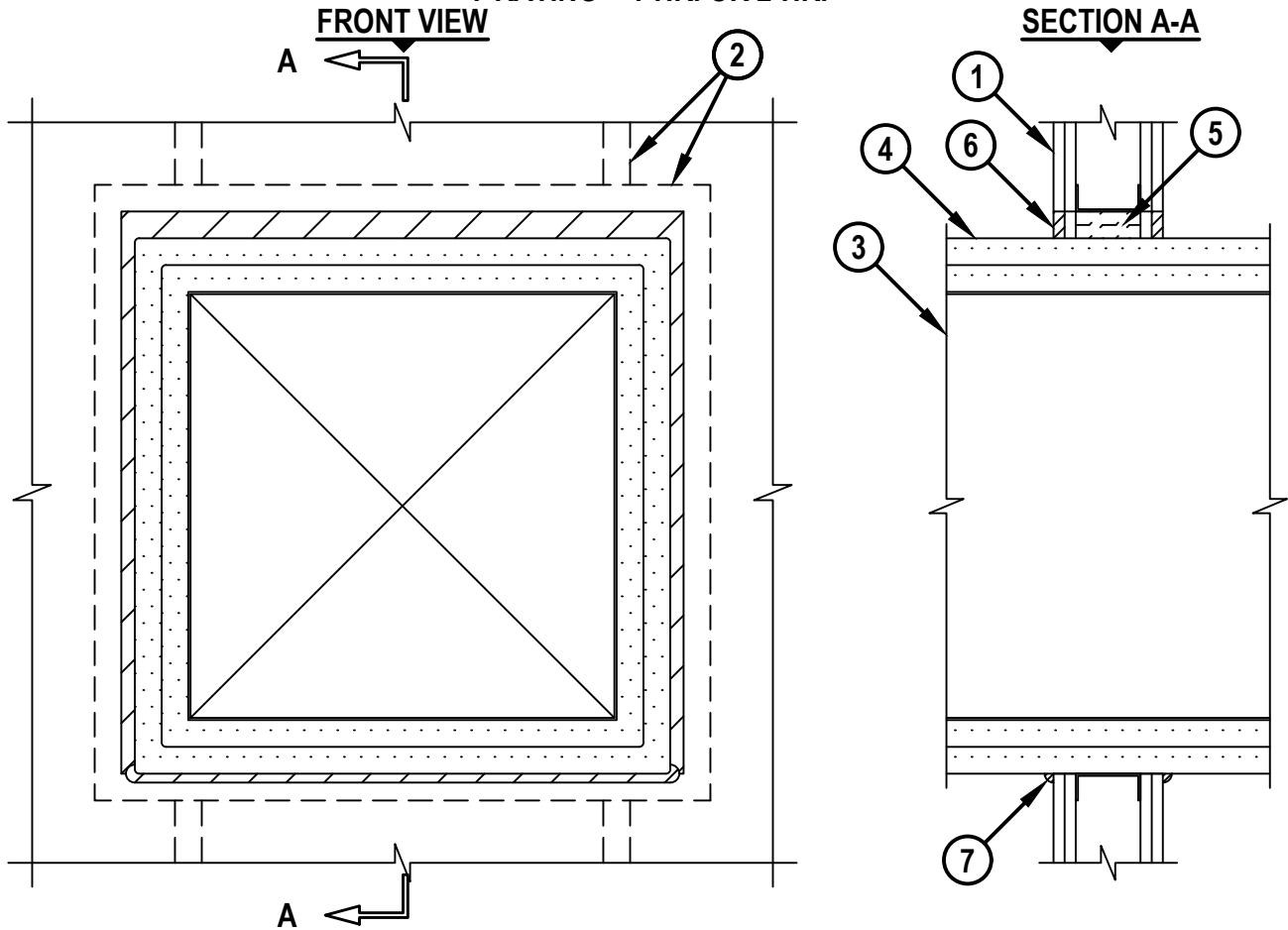


INSULATED STEEL GREASE DUCT (UNIFRAX) THROUGH GYPSUM WALL ASSEMBLY

F-RATING = 1-HR. OR 2-HR.
T-RATING = 1-HR. OR 2-HR.

WL7157d.032817



1. GYPSUM WALL ASSEMBLY (UL/cUL CLASSIFIED U400 SERIES) (1-HR. OR 2-HR. FIRE-RATING) (2-HR. SHOWN).
2. STEEL STUDS TO BE MINIMUM 3-5/8" WIDE (SPACED MAXIMUM 24" OC). OPENING TO BE FRAMED OUT WITH STUD MATERIAL.
3. MAXIMUM 24" x 24" STEEL GREASE DUCT (MIN. 16 GA.).
4. NOMINAL 1-1/2" THICK FYREWRAPE DUCT 1.5 MANUFACTURED BY UNIFRAX CORP. (SEE NOTE NO. 3 BELOW).
5. MINIMUM 3-5/8" THICKNESS MINERAL WOOL (MIN. 4 PCF DENSITY) TIGHTLY PACKED, RECESSED TO ACCOMMODATE SEALANT.
6. MINIMUM 5/8" DEPTH HILTI FS-ONE MAX INTUMESCENT FIRESTOP SEALANT.
7. MINIMUM 1/2" BEAD HILTI FS-ONE MAX INTUMESCENT FIRESTOP SEALANT APPLIED AT POINT OF CONTACT.

NOTES : 1. MAXIMUM SIZE OF OPENING = 31-1/2" x 31-1/2".
 2. ANNULAR SPACE = MINIMUM 0", MAXIMUM 1-1/2".
 3. TWO LAYERS OF DUCT WRAP REQUIRED TO BE INSTALLED PER MANUFACTURER'S INSTRUCTIONS.



HILTI, Inc.
Plano, Texas USA (800) 879-8000

Sheet	1 of 1
Scale	3/32" = 1"
Date	Mar. 28, 2017

Drawing No.
WL 7157d