

UL/cUL SYSTEM NO. WW-D-0064

FIRE-RATED JOINT THROUGH CONCRETE WALL ASSEMBLY

ASSEMBLY RATING = 3-HR.

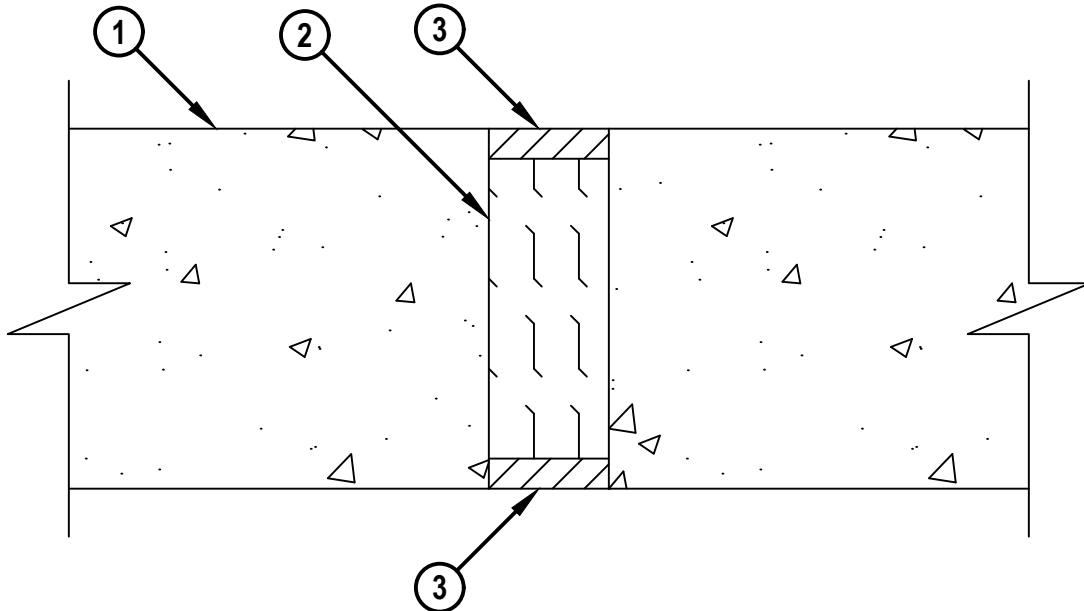
CLASS II MOVEMENT CAPABILITIES - 6% COMPRESSION OR EXTENSION

L-RATING AT AMBIENT = LESS THAN 1 CFM / LIN FT

L-RATING AT 400°F = LESS THAN 1 CFM / LIN FT

WWD0064b.080219

TOP VIEW



1. CONCRETE WALL ASSEMBLY (3-HR. FIRE-RATING) :
 - A. LIGHTWEIGHT OR NORMAL WEIGHT CONCRETE WALL (MINIMUM 6" THICK).
 - B. ANY UL/cUL CLASSIFIED CONCRETE BLOCK WALL.
2. MINIMUM 5" THICKNESS MINERAL WOOL SAFING (MIN. 4 PCF DENSITY) COMPRESSED 50%.
3. MINIMUM 1/2" DEPTH HILTI CP 606 FLEXIBLE FIRESTOP SEALANT FLUSH WITH BOTH SIDES OF WALL.

NOTE : MAXIMUM WIDTH OF JOINT = 2".



Hilti Firestop Systems

HILTI, Inc.
Plano, Texas USA (800) 879-8000

Sheet 1 of 1

Scale 5/16" = 1"

Date Aug. 02, 2019

Drawing No.

**WWD
0064b**

Saving Lives through Innovation and Education