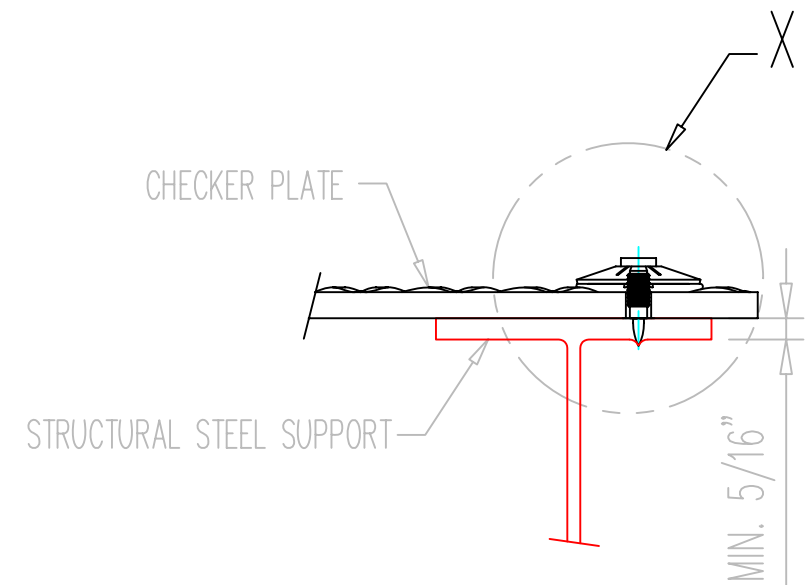
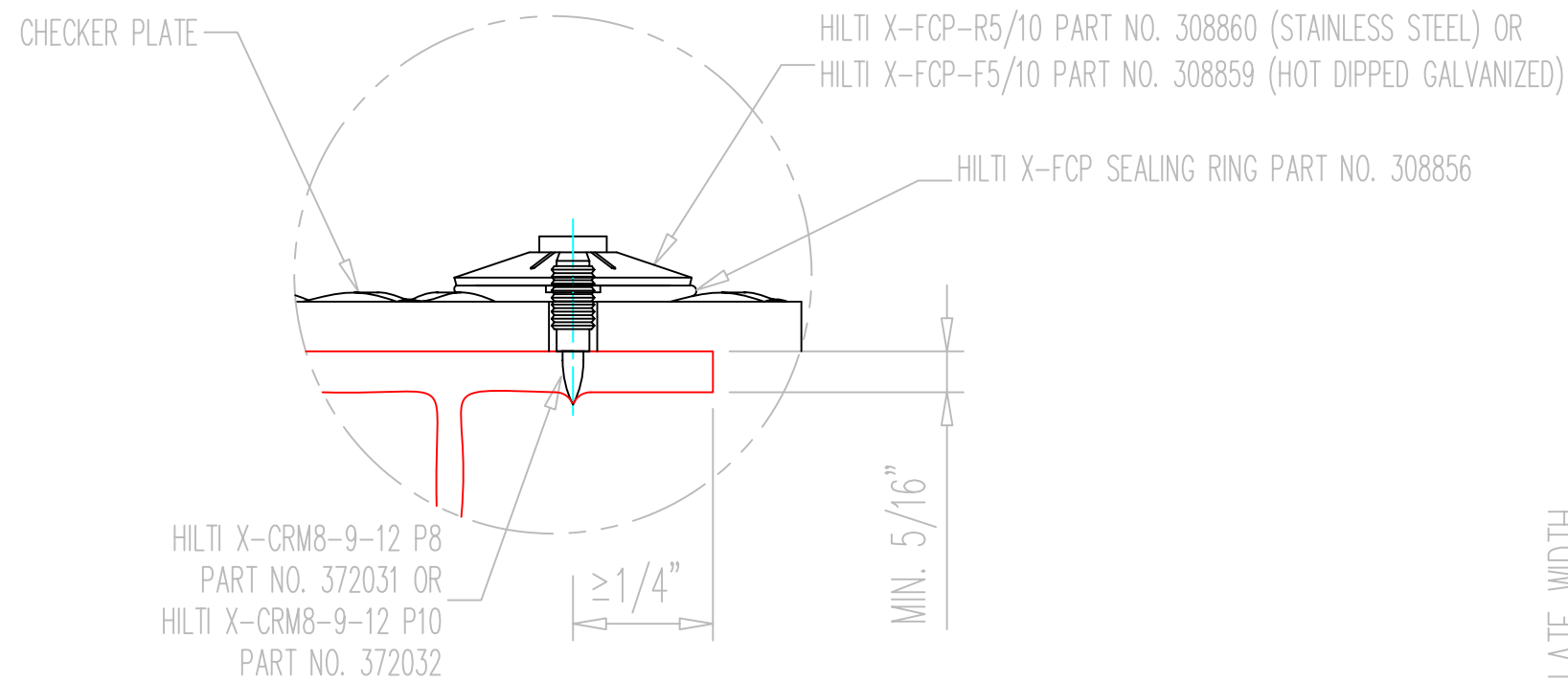


SECTION A-A



PLATING SUPPORT



NOTE: MAXIMUM INSTALLATION TORQUE = 6 FT LBS
DETAIL X

