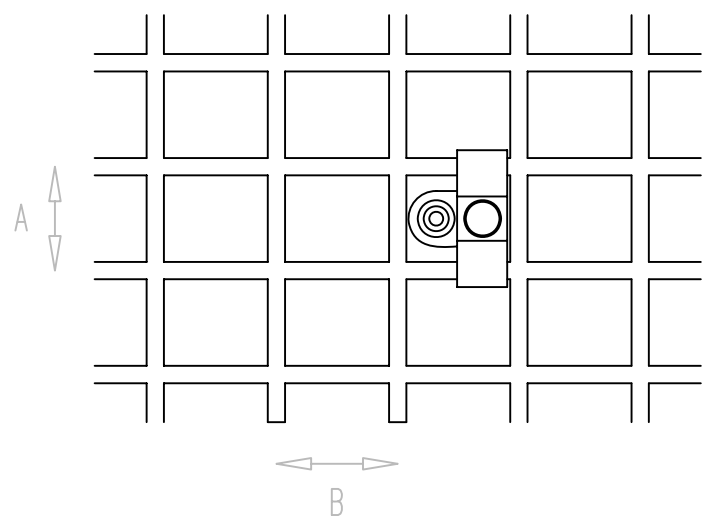
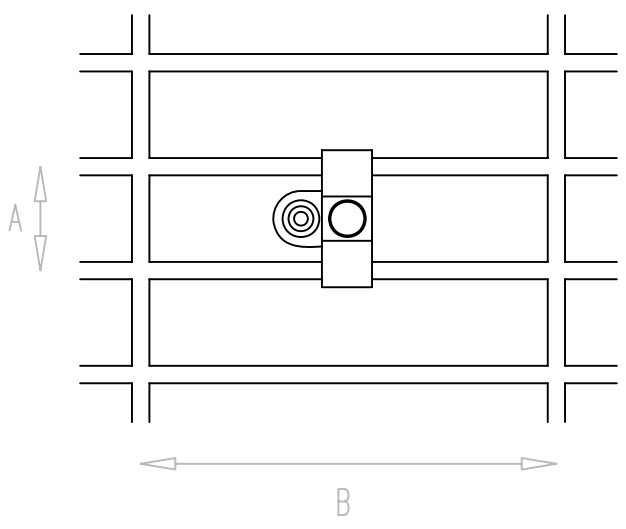
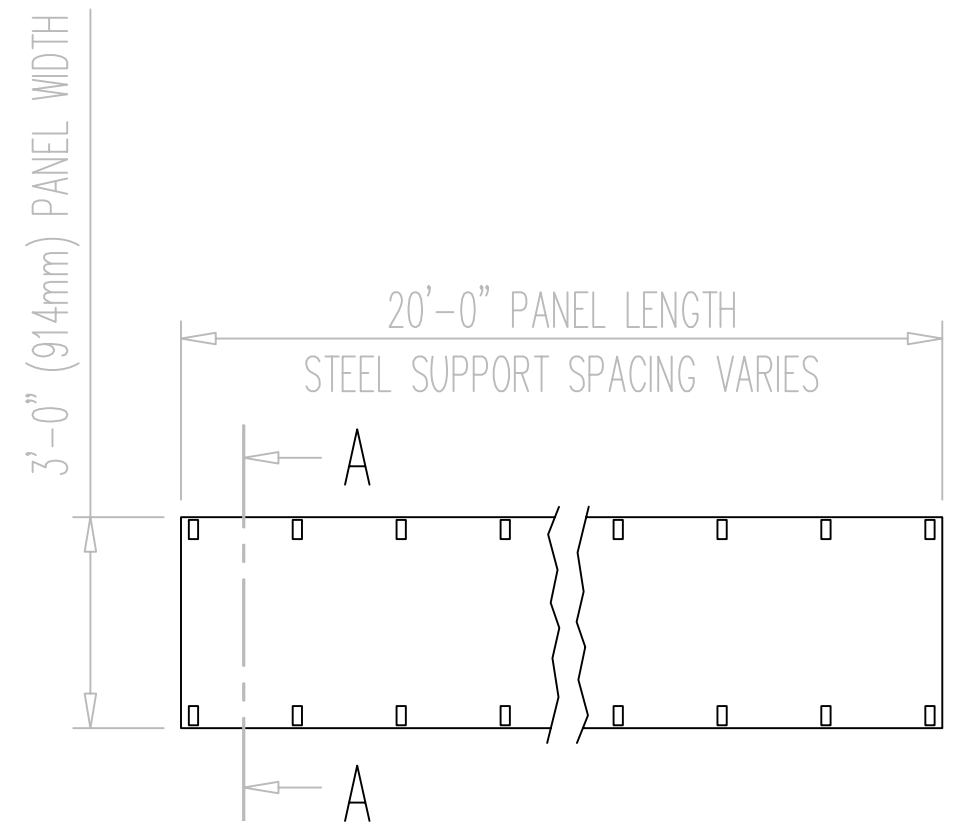
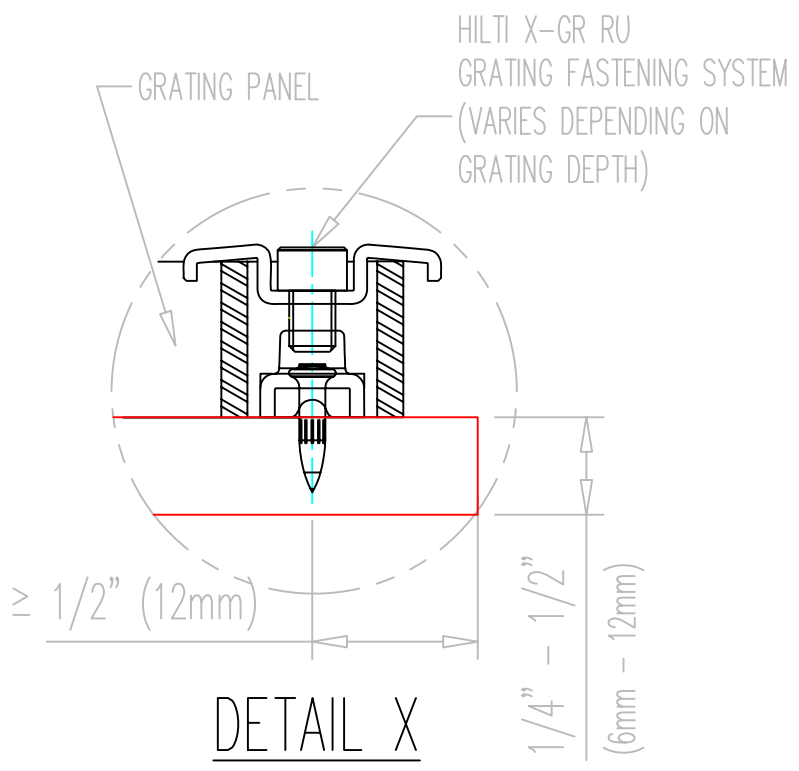
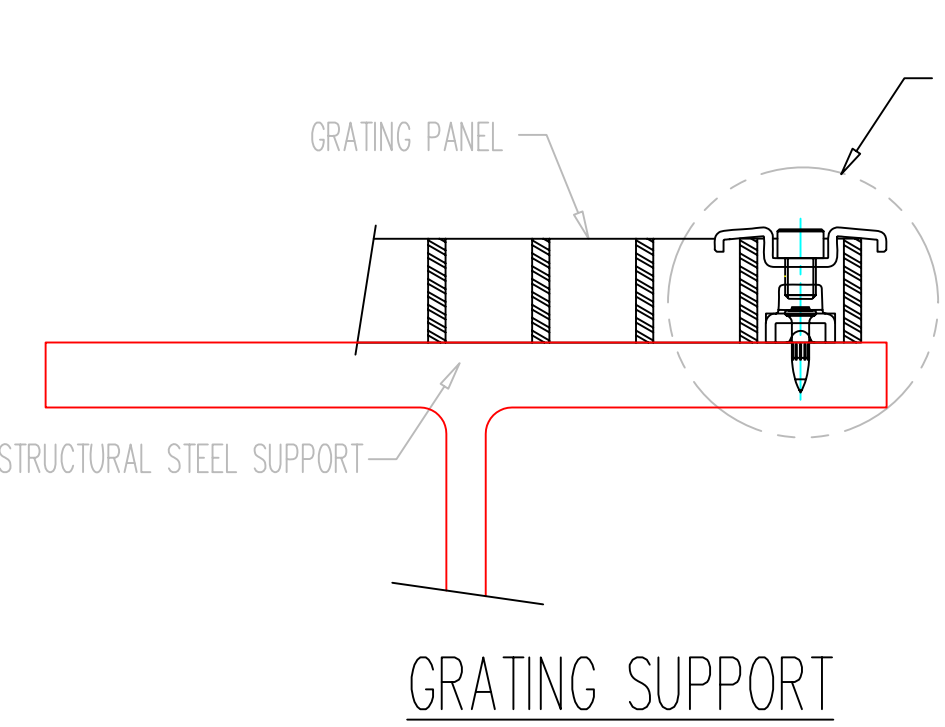


SECTION A-A



BEARING BAR SPACING (A) = 1" TO 1-1/4" (25mm TO 32mm)
 CROSS BAR SPACING (B) $\geq 1-3/16"$ (30mm)

X-GR RU SELECTION GUIDE FOR GRATING			
NOMINAL GRATING HEIGHT In. (mm)	FASTENER DESCRIPTION	POWDER ACTUATED FASTENER	ITEM NO.
1 (25)	X-GR RU 1"	X-CR20-4.5R Zn P8	384239
1-1/4 (32)	X-GR RU 1-1/4"		385932
1-1/2 (38)	X-GR RU 1-1/2"		384240