

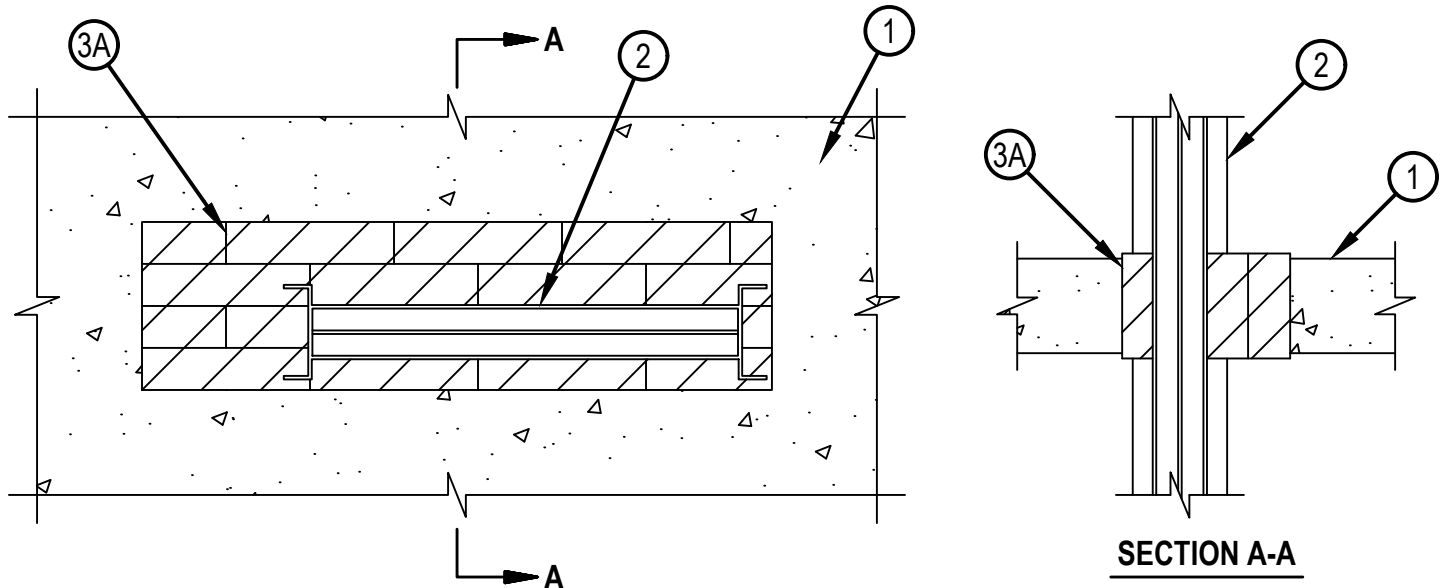


Classified by
Underwriters Laboratories, Inc.
to UL 1479 and CAN/ULC-S115

System No. C-AJ-6042

ANSI/UL1479 (ASTM E814)	CAN/ULC S115
F Rating — 2 Hr	F Rating — 2 Hr
T Rating — 0 Hr	FT Rating — 0 Hr
	FH Rating — 2 Hr
	FTH Rating — 0 Hr

CAJ 6042



1. Floor or Wall Assembly — Min 4-1/2 in. (114 mm) thick reinforced lightweight or normal weight (100-150 pcf or 1600-2400 kg/m³) concrete floor or wall. Wall may also be constructed of any UL Listed Concrete Blocks*. Max area of opening is 240 in.² (1548 mm²) with max dimension of 30 in. (762 mm).

See Concrete Blocks (CAZT) in the UL Fire Resistance Directory for names of manufacturers.

2. Busway — One nom 23 in. (584 mm) wide (or smaller) by 4-1/2 in. (114 mm) deep, or max two nom 11-1/4 in. (286 mm) wide (or smaller) by 4-1/2 in. (114 mm) deep, "I" shaped aluminum enclosure containing factory mounted aluminum bars rated for 600 V, 4000A or copper bars rated for 600 V, 5000 A. When two busways are installed, they shall be placed end to end and the annular space between busways shall be min 1/2 in. (13 mm). The annular space between busways and periphery of opening shall be min 1/4 in. (6 mm) to max 5-3/4 in. (146 mm). Busways to be rigidly supported on both sides of floor and wall assembly. The busways shall bear the UL Listing Mark and shall be installed in accordance with the National Electrical Code, NFPA No. 70.

3. Firestop System — The firestop system shall consist of the following:

A. Fill, Void or Cavity Material* — Fire blocks installed with 5 in. (127 mm) dimension passed through the opening and centered within the thickness of the floor or wall. In concrete block walls, fire block to fill entire thickness of wall opening unless wall is solid filled. Blocks to be firmly packed and completely fill the entire area of opening between and around busways.

HILTI CONSTRUCTION CHEMICALS, DIV OF HILTI INC — CFS-BL Firestop Block

B. Fill, Void or Cavity Material* — (Not Shown) - Fill material to be applied to maximum extent possible within the opening between and around busways and fire block to fill any voids. This fill material is to be applied from the top surface of the floor assembly or both surfaces of wall assembly.

HILTI CONSTRUCTION CHEMICALS, DIV OF HILTI INC — FS-ONE Intumescent Sealant or FS-ONE MAX Intumescent Sealant.

* Indicates such products shall bear the UL or cUL Certification Mark for jurisdictions employing the UL or cUL Certification (such as Canada), respectively.



Hilti Firestop Systems

Reproduced by HILTI, Inc. Courtesy of
Underwriters Laboratories, Inc.
April 26, 2017